



Songlin Furniture

中山松林傢俱有限公司

ZHONG SHAN SONGLIN FURNITURE CO.,LTD

2022
New Collection



[Http://www.fuh-shyan.com](http://www.fuh-shyan.com)



Company Profile 公司簡介



【Fuh Shyan】was established in 1986 in Chiayi, Taiwan, and we are a professional manufacture of office chair components, R & D, manufacturing, sales. We also have been insisting the concept of sustainable management to serve our clients in last 24 years. We produce more than 100 items of chair parts, including castor, armrest, back, seat pan, base, and other accessories. All of the molds are self-development and manufacturing. And most of products have passed SGS testing (according with BIFMA standard), and have multi-national patents.

【富翔】西元1986年成立於台灣嘉義, 為辦公椅配件研發、製造、銷售廠商, 二十多年來一直秉持著永續經營的理念來服務客戶。製造的產品以辦公椅配件為主, 有輪子、扶手、椅背、座殼、椅腳及其他配件, 共有100多項產品。全部的模具皆自行開發、生產, 其成品通過SGS檢驗中心測試(依BIFMA標準值), 且多數產品擁有多國專利。



【Zhongshan SongLin】was established In year 2007 in Guangdong, China. We are specialized in ergonomic chairs, including Design, developing, manufacturing and sales.

Design Concept : the design of chair is based on energy conservation, environmental protection & ergonomic-oriented. And our product will be lightweight & simplify by complex process, so that the chairs becomes more breathable and comfortable.

Development capability : with 20 years of experience in operating office chair components, our team of R&D applies the skills and knowledge in the development of ergonomic chairs, each detail & angle is our experience accumulated by many years.

Manufacturing capacity : We have highly of integration ability, from product design, mold design, injection, manufacturing and assembly process.

Marketing Global : 【Zhongshan SongLin】in Taiwan as the marketing center, and marketing network all over the world. Our products of develop and designs are made by ourselves. All of our chairs have passed BIFMA testing. At present, we have the multi-patents for Taiwan, China, Japan, the United States, Britain, Germany, and European Union.

於西年元2007年在中國廣東成立【中山松林家具】以研發、製造人體工學椅為主要生產項目:

設計理念 : 【中山松林】的椅子是以節約能源、環保、符合人體工學為導向, 將厚重的產品輕量化, 將繁複的製程簡單化, 讓椅子變的更加透氣及舒適。

開發能力 : 憑藉著二十多年營運辦公椅配件的經驗, 【中山松林】的研發團隊將其所知的技術與知識發揮套用在開發人體工學椅, 每個細節, 每個角度都是多年的經驗累積。

生產製造能力 : 【中山松林】且擁有極高度的統合能力, 從產品設計、模具設計、灌注製造及裝配加工, 皆一貫作業。

行銷全球 : 【中山松林】以台灣為行銷中心, 行銷網路遍及全球。我們的產品皆為自行開發、設計並通過BIFMA安全測試。且已取得台灣、中國、日本、美國、英國、德國、歐盟等國多項專利。

Contents 索引



Executive office chair
多功能人體工學椅

37-86



Big & Tall
重型椅

87-92



Task chair
多功能秘書職員椅

93-108



Guest chair
等待椅

109-116


















Training & Stacking chairs
培訓椅&堆疊椅

117-118



Applicable series 適用系列






 A1	 A2	 A3	 A4	 A5
 A6	 A7	 A8	 A9	 A12
 A13	 A14	 A16	 A18	 A19

A type Mechanism

- Wire control mechanism
- Backrest tilt adjustable (3 stages)
- Seat slide adjustable (3 stages & 5cm movement)
- Seat height adjustable
- Double spring design Mechanism
(More flexible experience)
- Side tension adjustment for the backrest strength
(More easy to adjust)
- Luxury design
(Aluminum connection to Back and Armrest)
- Aluminum injected center

A型底盤

- 線控機構 (輕鬆操作)
- 後仰角度三段式鎖定 (最大傾角130度)
- 座深3段滑動調節 (滑動距離5cm)
- 座高調節
- 雙彈簧回彈機構
(使背部回彈有更舒適的回饋)
- 側邊彈簧強度調節後仰力道
(輕鬆調節後仰力道)
- 扶手椅背同步後仰
- 底盤主體全鋁合金壓鑄一體成形
- 奢華設計(扶手椅背鋁合金連接)

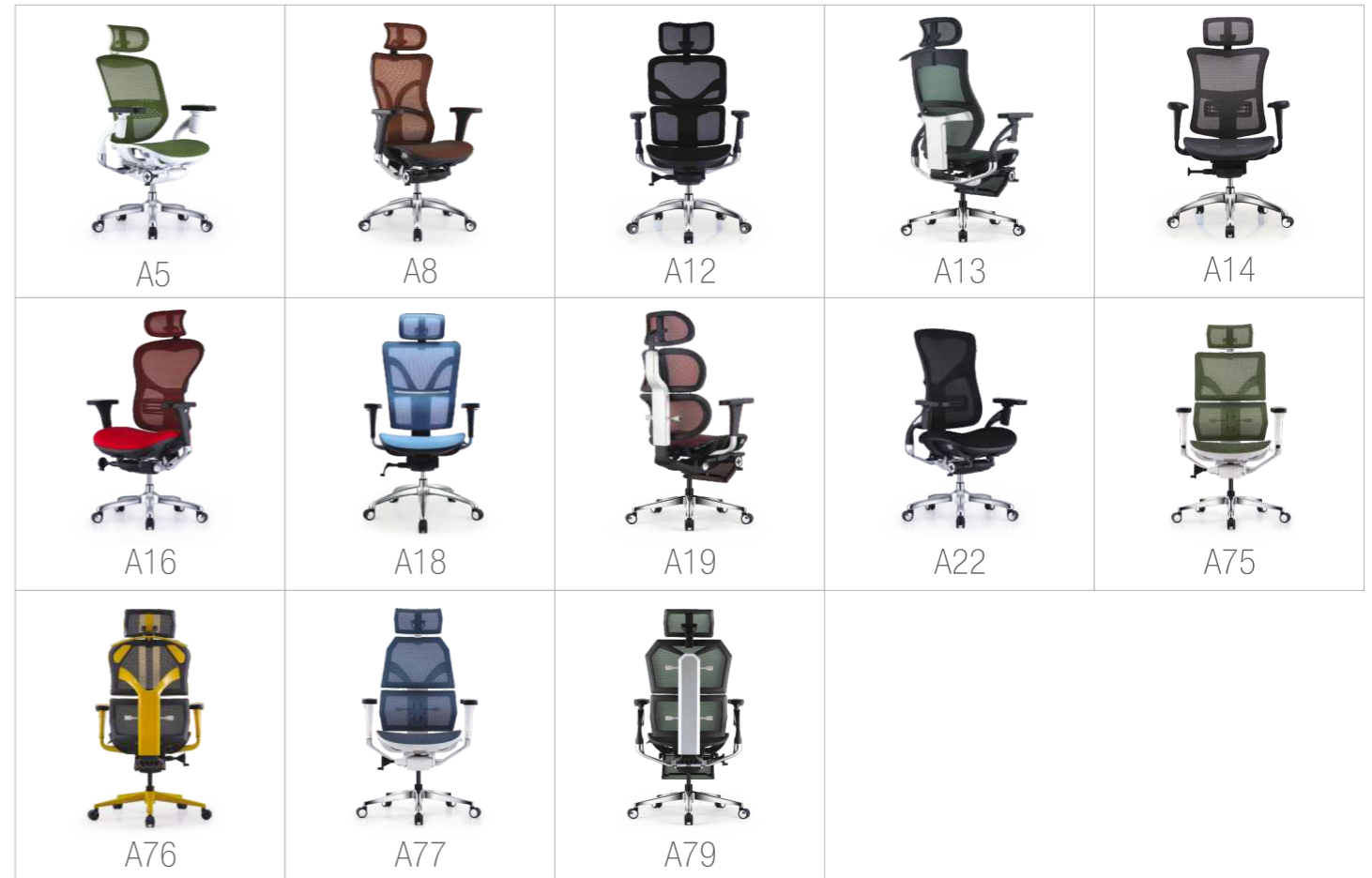
 A22	 A75
 A76	 A77
	 A79



A (L) type Mechanism

- Wire control mechanism
- Backrest tilt adjustable (3 stages)
- Seat slide adjustable (3 stages & 5cm movement)
- Seat height adjustable
- Double spring design Mechanism
(More flexible experience)
- Side tension adjustment for the backrest strength
(More easy to adjust)
- Aluminum injected center

Applicable series 適用系列





A (L) 型底盤

- 線控機構 (輕鬆操作)
- 後仰角度三段式鎖定 (最大傾角145度)
- 座深3段滑動調節 (滑動距離5cm)
- 座高調節
- 雙彈簧回彈機構
(使背部回彈有更舒適的回饋)
- 側邊彈簧強度調節後仰力道
(輕鬆調節後仰力道)
- 底盤主體全鋁合金壓鑄一體成形



Applicable series 適用系列





 F1	 F2	 F3	 F4	 F5
 F6	 F7	 F8	 F9	 F11
 F12	 F13	 F14	 F16	 F17
 F18	 F19	 F20	 F21	 F22

F type Mechanism

- Wire control mechanism
- Backrest tilt adjustable (3 stages)
- Seat slide adjustable (3 stages & 5cm movement)
- Seat height adjustable
















F型底盤

- 線控機構(輕鬆操作)
- 後仰角度三段式鎖定(最大傾角130度)
- 座深3段滑動調節(滑動距離5cm)
- 座高調節

 F75	 F76
 F77	 F79



Applicable series 適用系列

 K1	 K5	 K8	 K12	 K13
 K14	 K16	 K18	 K19	 K20
 K21	 K22	 K75	 K76	 K77
				 K79

K type Mechanism

- Self weighting control mechanism
- Backrest tilt adjustable (4 stages)
- Seat slide adjustable (3 stages & 5cm movement)
- Seat height adjustable
- One handle controlling panel
- Aluminum injected center

K型底盤

- 自載重底盤 (根據使用者重量自動調整)
- 後仰角度四段式鎖定 (最大傾角130度)
- 座深3段滑動調節 (滑動距離5cm)
- 座高調節
- 單一手柄功能控制
- 底盤主體鋁合金壓鑄一體成形



Applicable series 適用系列

 T1	 T3	 T5	 T7	 T8
 T11	 T12	 T13	 T14	 T16
 T17	 T18	 T19	 T20	 T21
 T22	 T75	 T76	 T77	 T79

T type Mechanism

- Backrest tilt adjustable (3 stages)
- Seat slide adjustable (3 stages & 5cm movement)
- Seat height adjustable

T型底盤

- 後仰角度三段式鎖定(最大傾角130度)
- 座深3段滑動調節(滑動距離5cm)
- 座高調節



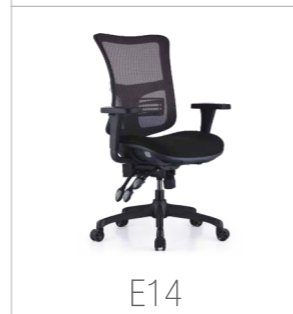
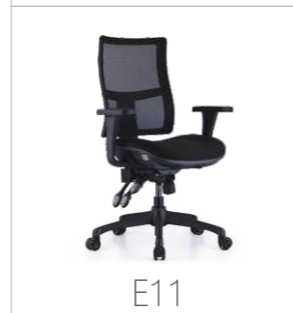
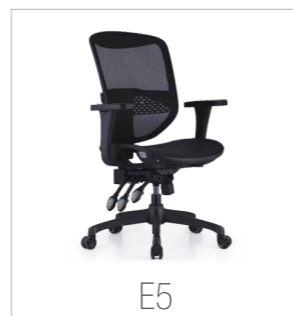
E type Mechanism

- Backrest tilt adjustable(Lock in any position)
- Seat slide adjustable(3 stages & 5cm movement)
- Seat height adjustable
- Simple synchro
- Back push forward 15°

E型底盤

- 後仰角度三段式鎖定(最大傾角120度)
- 座深3段滑動調節(滑動距離5cm)
- 座高調節
- 簡單同步傾仰
- 負角度調整(椅背可往前調整15°)

Applicable series
適用系列



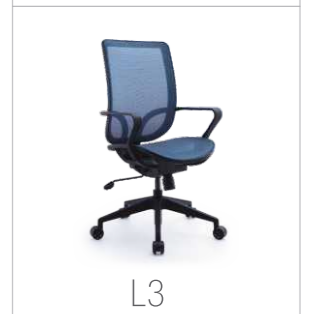
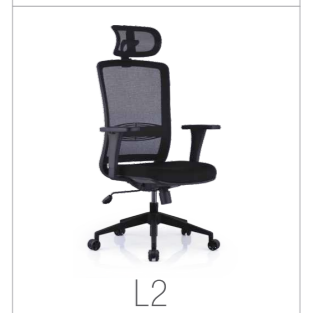
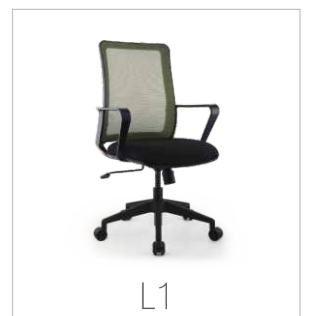
L type Mechanism

- Back tilt lock in 1st stage only
- Simple Synchro
- Seat height adjustable

L型底盤

- 後仰第一段鎖定
- 簡單同步後仰
- 座高調節

Applicable series
適用系列





Item code: S1 Swivel Armrest

A type Mechanism ONLY

- Five stages adjustment with 6cm movement
- PU pad Forward/Backward adjustment with 5.5cm movement
- PU pad Left/Right adjustment with 40°
- Push out 16°, Pull in 16°

A型底盤專用

編號“S1搖擺扶手”，是專用在松林A系列底盤，流線的外觀設計搭配可向內、向外擺動的功能，無論是SOHO辦公抑或是休閒娛樂，皆收放自如！

功能：

- 五段式升降，升降高度6cm
- 扶手PU靠墊前後滑動5.5cm、左右擺動40°
- 扶手外推16°，內收16°



Item code: S2 Armrest

A type Mechanism ONLY

- Five stages adjustment with 6cm movement
- PU pad Forward/Backward adjustment with 5.5cm movement
- PU pad Left/Right adjustment with 40°

A型底盤專用

編號“S2升降扶手”，是專用在松林A型底盤系列的，材質是PU扶手靠墊搭配稜線造型的外觀設計，使其在搭配俐落線條的椅背系列時，更具風格。

功能：

- 五段式升降，升降高度6cm
- 扶手PU靠墊前後滑動5.5cm、左右擺動40°



Item code: **A3 Armrest**

A type Mechanism ONLY

- Five stages adjustment with 6cm movement
- PU pad can be rotated with 360°
















A型底盤專用

編號“A3扶手”，是專用在松林A系列底盤，獨家專利的360度旋轉功能，使休息時更放鬆，並可無死角的將椅子推進桌內收納。





功能：

- 五段式升降，升降高度6cm
- 360度扶手靠墊旋轉

Applicable series **S1,S2扶手適用系列**

 A3	 A4	 A5	 A6	 A7
 A8	 A12	 A14	 A16	 A18
 A19	 A22	 A75	 A76	 A77

Applicable series **A3扶手適用系列**

 A3	 A4	 A6	 A7
---	---	---	---



Item code: **C type Aluminum Armrest**

Option for K/F/T type Mechanism

- Aluminum Inner
- Five stages adjustment with 6cm movement
- PU pad Forward/Backward adjustment with 5.5cm movement
- PU pad Left/Right adjustment with 40°

K/F/T底盤通用

編號“C型鋁合金扶手”，通用於松林F/K/T系列底盤，在挑選實用性之餘點綴一些奢華元素。

功能：

- 鋁合金扶手內芯
- 五段式升降，升降高度6cm
- 扶手PU靠墊前後滑動5.5cm、左右擺動40°



Item code: **C type Armrest**

Option for K/F/T type Mechanism

- Five stages adjustment with 6cm movement
- PU pad Forward/Backward adjustment with 5.5cm movement
- PU pad Left/Right adjustment with 40°

K/F/T底盤通用

編號“C型扶手”，通用於松林F/K/T系列底盤，超高性價比，無論搭配哪一系列產品皆是卓越出眾！

功能：

- 五段式升降，升降高度6cm
- 扶手PU靠墊前後滑動5.5cm、左右擺動40°



Item code: **Swivel Armrest**

Option for K/F/T type Mechanism

- Five stages adjustment with 6cm movement
- PU pad Forward/Backward adjustment with 5.5cm movement
- PU pad Left/Right adjustment with 40°
- Push out 16°, Pull in 16°

K/F/T底盤通用

編號“搖擺扶手”，通用於松林F/K/T系列底盤，內外擺動功能，搭配高性價比底盤，絢麗奪目。

功能：

- 五段式升降，升降高度6cm
- 扶手PU靠墊前後滑動5.5cm、左右擺動40°
- 扶手外推16°，內收16°



Item code: **4D Armrest pad**

Option for ALL type Armrest (except A3 armrest)

- 4 dimension movable
- Non-locked design

通用全系列扶手(A3扶手除外)

編號“4D扶手饅頭”，通用於松林全系列升降扶手，全方位的移動，使扶手靠墊可以停留在任意位置。

功能：

- 全方位移動
- 無鎖定設計



Item code: **T type Armrest**

Option for F/K/T type Mechanism

- Five stages adjustment with 12.5 cm
- PU pad Forward/Backward adjustment with 5.5cm movement
- PU pad Left/Right adjustment with 40°
- Meets the standard of EN1335

K/F/T底盤通用

編號“T型扶手”，通用於松林F/K/T底盤，符合歐規的尺寸規範，超長的升降行程，提供範圍內最佳支撐！

功能：

- 五段式升降支撐，升降行程為12.5 cm
- 扶手PU靠墊前後滑動5.5cm、左右擺動40°





Item code: **3D headrest-A1**

Option for All Executive office chairs(Hanger is option)

- Adjustable backward/forward for 90°
- 5 stages adjustable for the height
- The biggest adjustable distance is 11.5cm

全系列多功能人體工學椅適用(衣架為選配)

編號” A1兩段式頭枕”，可搭配松林全系列多功能人體工學椅，多角度的調整，達到全方位的支撐！

功能：

- 前後調整90°
- 五段式上下調節
- 上下高低最大調節距離11.5cm



Item code: **3D headrest-A3**

Option for All Executive office chairs(Hanger is option)

- Adjustable backward/forward for 90°
- 5 stages adjustable for the height
- The biggest adjustable distance is 11.5cm

全系列多功能人體工學椅適用(衣架為選配)

編號” A3兩段式頭枕”，可搭配松林全系列多功能人體工學椅，大班的設計，更增添後仰時的舒適度！

功能：

- 前後調整90°
- 五段式上下調節
- 上下高低最大調節距離11.5cm

Item Code: **B350 Alu. base**
編號: B350 鋁腳



Item Code: **D350 Nylon base**
編號: D350 尼龍腳



Item Code: **S360 Alu. base**
編號: S360 鋁腳



Item Code: **S360 Nylon base**
編號: S360 尼龍腳



Item Code:
F type catser
編號: 全黑風火輪



Item Code:
F type catser-chrome
編號: 電鍍風火輪



Item Code:
S type caster
編號: S輪



Item Code:
S type Caster-Chrome
編號: 電鍍S輪



Item Code:
GD401 (Glider)
編號: GD401 固定輪



Item Code:
HGD401 (Chromed Glider)
編號: HGD401 電鍍固定輪





Item code: Joyrest

Option for all Series.

全系列適用

編號”悠樂架”，適用於松林全系列椅款，大小網椅皆適用，是上班休憩時間的最佳幫手！





Item code: **FR-01**

Option for all Series

- Mesh Available

所有椅款適用



















編號”FR-01”，適用於松林所有椅款，典雅的造型可自然融入各種環境，除了搭配座椅休息使用，也可當作小凳子使用！

-可選配為網座





Applicable series 適用系列

				
F1 Stool	F2 Stool	F4 Stool	F5 Stool	F11 Stool
				
F13 Stool	F14 Stool	F16 Stool	F17 Stool	D1 Stool
				
D2 Stool	D3 Stool	D4 Stool	D5 Stool	D7 Stool
				
D8 Stool	D9 Stool	D11 Stool		

Item code: **Stool Series**

- Only meets the specific series as the picture shows below
- The back tilt function should be canceled for safety concern

高腳椅系列

- 只通用於以下圖片所示系列
- 為了安全考量，後仰功能將會被取消



A type

A1

Features 產品功能



頭枕上下角度調節
Headrest angle adjustment



座墊深淺調節
Seat depth adjustment



頭枕高度調節
Headrest height adjustment



座墊高度調節
Seat height adjustment



椅背高度調節
Backrest height adjustment



椅背後仰3段鎖定
Backrest tilt angle adjustment



扶手前後、升降調節
Arm-pad forward or backward & Armrest height adjustment



後仰力度可調節
Backrest flexible tilt tension adjustment



扶手左右角度調節
Arm-pad inward & outward adjustment



K type

K1



T type

T1

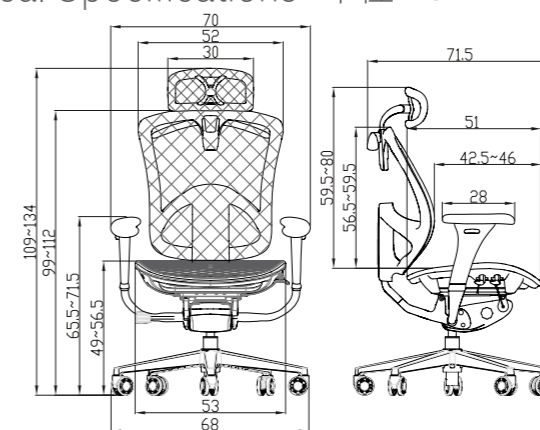


F type

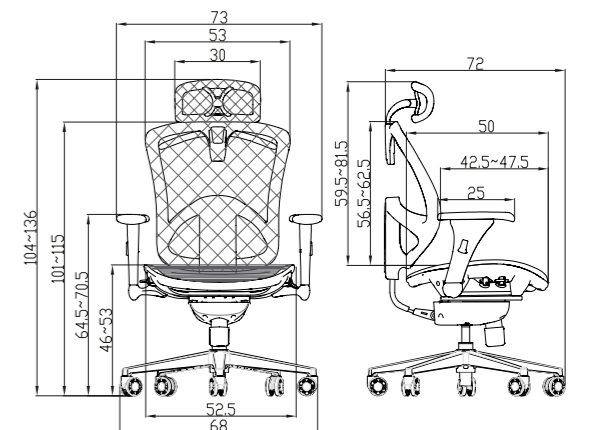
F1

Technical Specifications 單位: cm

規格圖



A1



F1



A type

A2



同款培訓椅可選
詳情見目錄培訓椅頁面介紹

Features 產品功能



頭枕上下角度調節
Headrest angle adjustment



座墊深淺調節
Seat depth adjustment



頭枕高度調節
Headrest height adjustment



座墊高度調節
Seat height adjustment



腰靠高度調節
Lumbar height adjustment



椅背後仰3段鎖定
Backrest tilt angle adjustment



扶手前后、升降調節
Arm-pad forward or backward & Armrest height adjustment



後仰力度可調節
Backrest flexible tilt tension adjustment



扶手左右角度調節
Arm-pad inward & outward adjustment

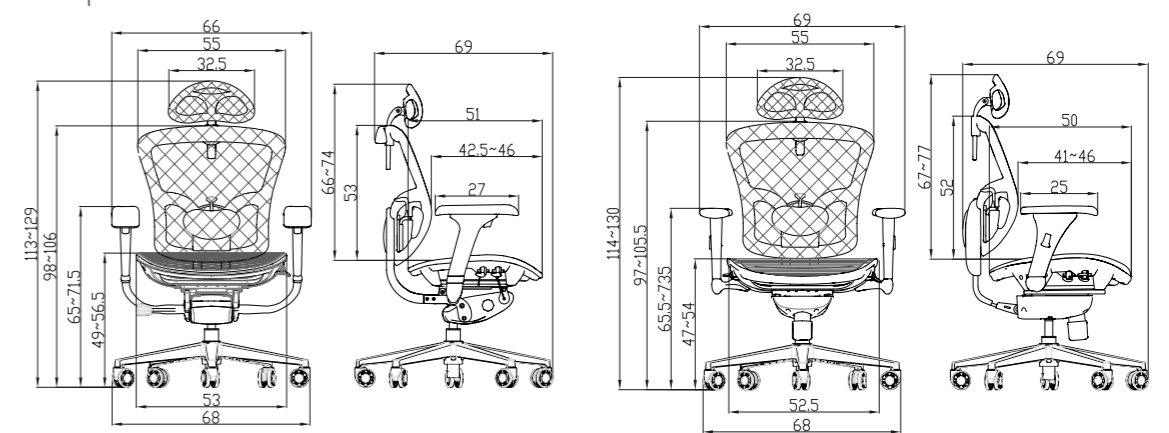


F type

F2

Technical Specifications 單位: cm

規格圖



A2

F2



A type

A3

Features 產品功能



頭枕上下角度調節
Headrest angle adjustment



座墊深淺調節
Seat depth adjustment



頭枕高度調節
Headrest height adjustment



座墊高度調節
Seat height adjustment



椅背高度調節
Backrest height adjustment



椅背後仰3段鎖定
Backrest tilt angle adjustment



扶手升降調節
Armrest height adjustment



後仰力度可調節
Backrest flexible tilt tension adjustment



扶手左右角度調節
Arm-pad inward & outward adjustment



扶手可以向外轉動
Arm-pad can adjust outwardly



F type

F3

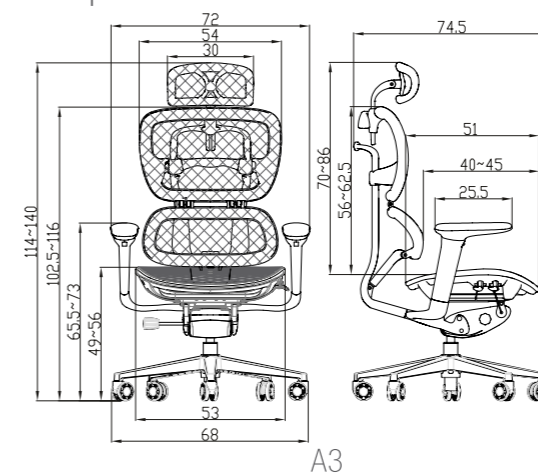


T type

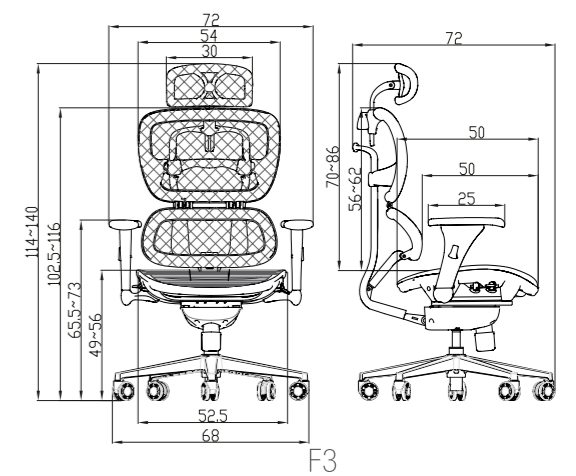
T3

Technical Specifications 單位: cm

規格圖



A3



F3



A type

A4

Features 產品功能



椅背高度調節
Backrest height adjustment



座墊深淺調節
Seat depth adjustment



扶手升降調節
Armrest height adjustment



座墊高度調節
Seat height adjustment



扶手左右角度調節
Arm-pad inward & outward adjustment



椅背後仰3段鎖定
Backrest tilt angle adjustment



扶手可以向外轉動
Arm-pad can adjust outwardly



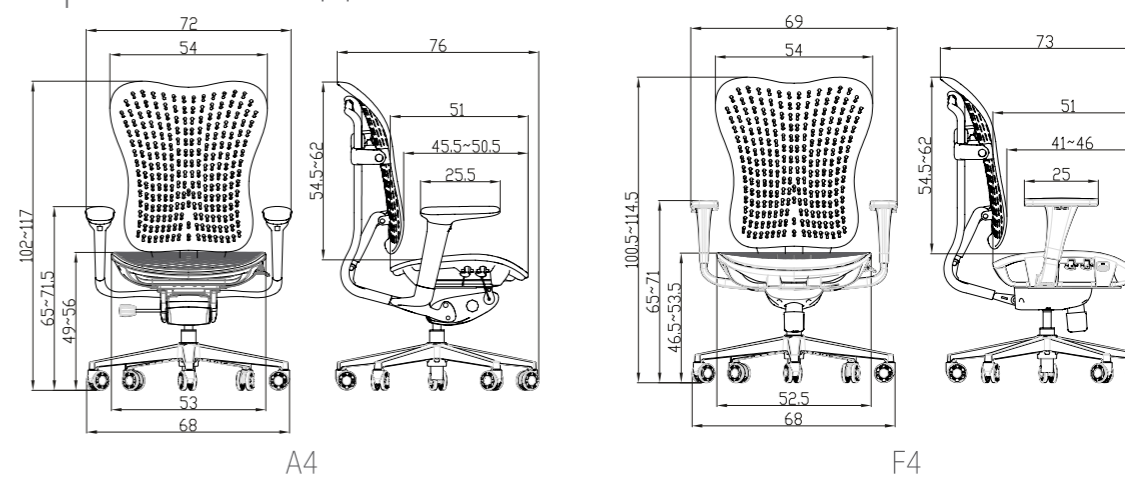
後仰力度可調節
Backrest flexible tilt tension adjustment



F type

F4

Technical Specifications 單位: cm
規格圖



A4

F4



A type

A5



同款培訓椅可選
詳情見目錄培訓椅頁面介紹

Features 產品功能



頭枕上下角度調節
Headrest angle adjustment



座墊深淺調節
Seat depth adjustment



頭枕高度調節
Headrest height adjustment



座墊高度調節
Seat height adjustment



椅背高度調節
Backrest height adjustment



椅背後仰3段鎖定
Backrest tilt angle adjustment



扶手前後、升降調節
Arm-pad forward or backward & Armrest height adjustment



後仰力度可調節
Backrest flexible tilt tension adjustment



扶手左右角度調節
Arm-pad inward & outward adjustment



K type

K5



T type

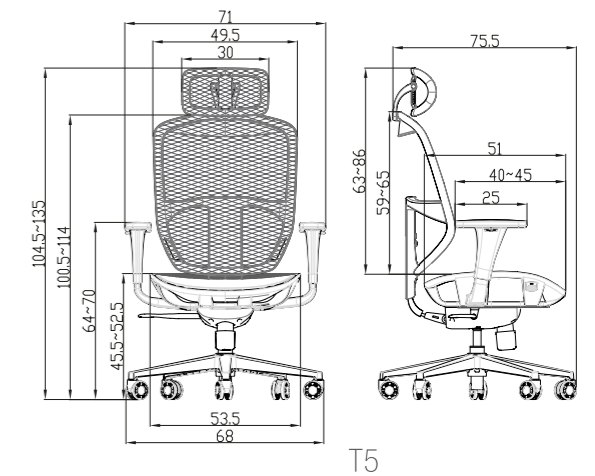
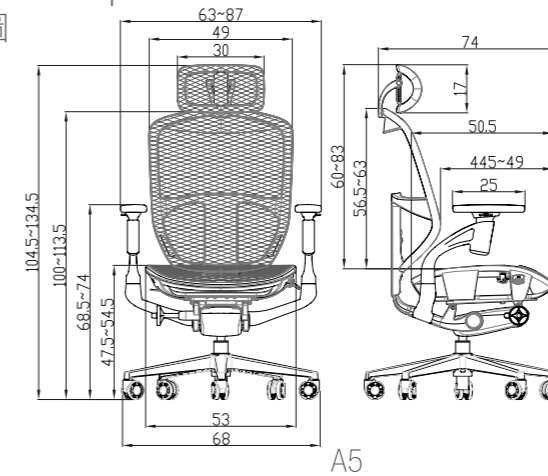
T5



F type

F5

Technical Specifications 單位: cm
規格圖





A type

A6

Features 產品功能



頭枕上下角度調節
Headrest angle adjustment



座墊深淺調節
Seat depth adjustment



頭枕高度調節
Headrest height adjustment



座墊高度調節
Seat height adjustment



椅背高度調節
Backrest height adjustment



椅背後仰3段鎖定
Backrest tilt angle adjustment



扶手升降調節
Armrest height adjustment



後仰力度可調節
Backrest flexible tilt tension adjustment



扶手左右角度調節
Arm-pad inward & outward adjustment



扶手可以向外轉動
Arm-pad can adjust outwardly

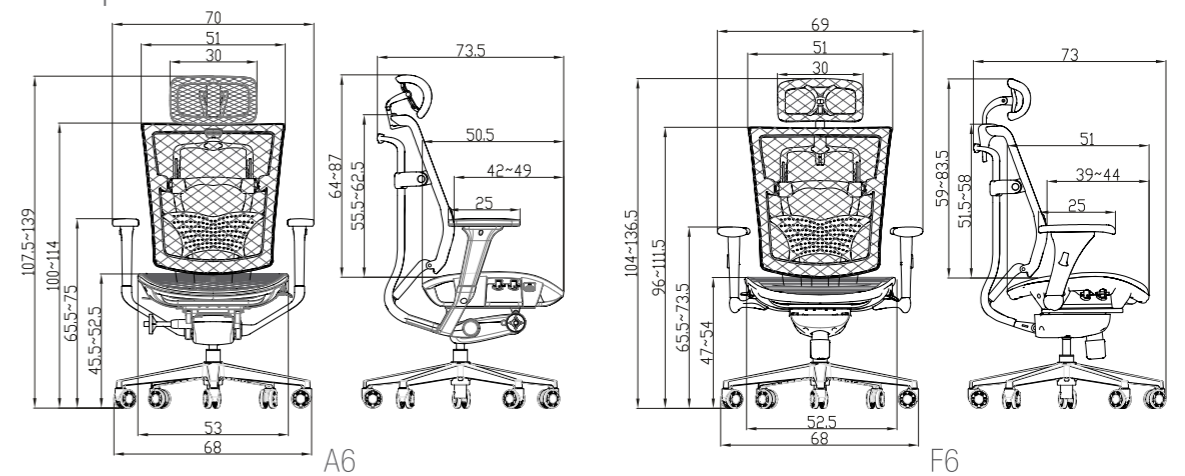


F type

F6

Technical Specifications 單位: cm

規格圖



A6

F6



A type

A7

Features 產品功能

- 

頭枕上下角度調節
Headrest angle adjustment
- 

座墊深淺調節
Seat depth adjustment
- 

頭枕高度調節
Headrest height adjustment
- 

座墊高度調節
Seat height adjustment
- 

椅背高度調節
Backrest height adjustment
- 

椅背後仰3段鎖定
Backrest tilt angle adjustment
- 

扶手前后、升降調節
Arm-pad forward or backward & Armrest height adjustment
- 

後仰力度可調節
Backrest flexible tilt tension adjustment
- 

扶手左右角度調節
Arm-pad inward & outward adjustment



F type

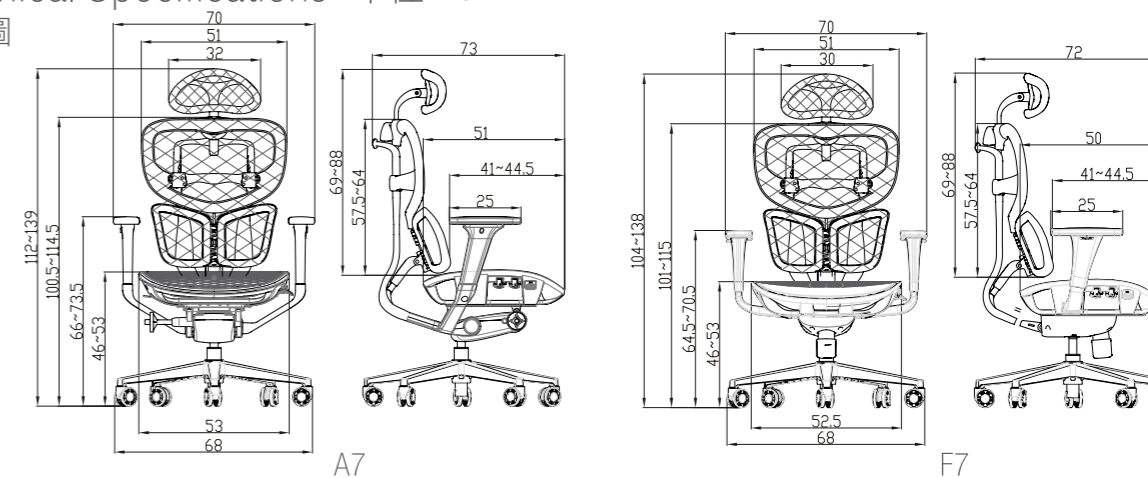
F7



T type

T7

Technical Specifications 單位: cm
規格圖



A7

F7



A type

A8

Features 產品功能



頭枕上下角度調節
Headrest angle adjustment



座墊深淺調節
Seat depth adjustment



頭枕高度調節
Headrest height adjustment



座墊高度調節
Seat height adjustment



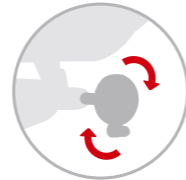
椅背高度調節
Backrest height adjustment



椅背後仰3段鎖定
Backrest tilt angle adjustment



扶手前後、升降調節
Arm-pad forward or backward & Armrest height adjustment



後仰力度可調節
Backrest flexible tilt tension adjustment



扶手左右角度調節
Arm-pad inward & outward adjustment



F type

F8



K type

K8

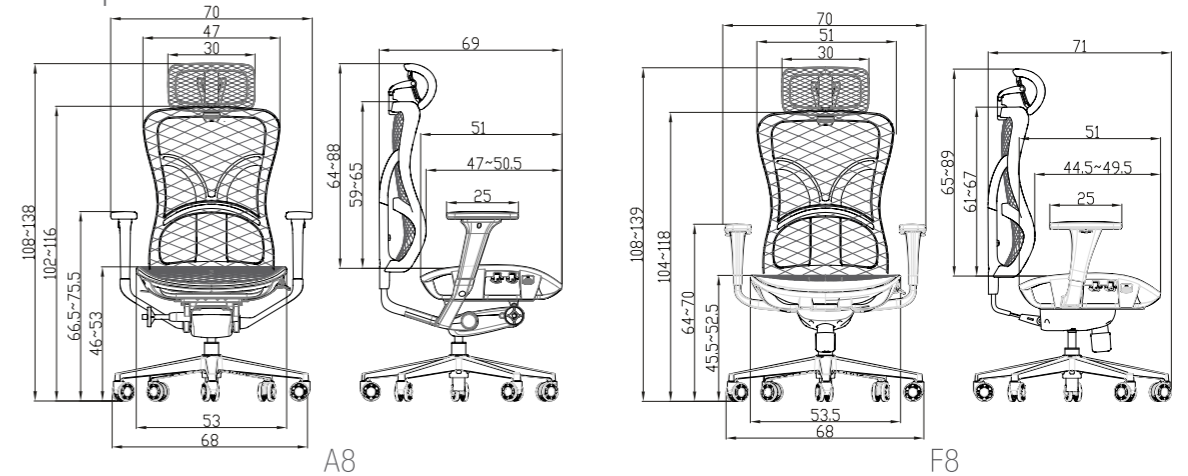


T type

T8

Technical Specifications 單位: cm

規格圖



A8

F8



A type

A9



同款培訓椅可選
詳情見目錄培訓椅頁面介紹

Features 產品功能



頭枕上下角度調節
Headrest angle adjustment



座墊深淺調節
Seat depth adjustment



頭枕高度調節
Headrest height adjustment



座墊高度調節
Seat height adjustment



椅背高度調節
Backrest height adjustment



椅背後仰3段鎖定
Backrest tilt angle adjustment



扶手升降調節
Armrest height adjustment



後仰力度可調節
Backrest flexible tilt tension adjustment



扶手左右角度調節
Arm-pad inward & outward adjustment



扶手可以向外轉動
Arm-pad can adjust outwardly

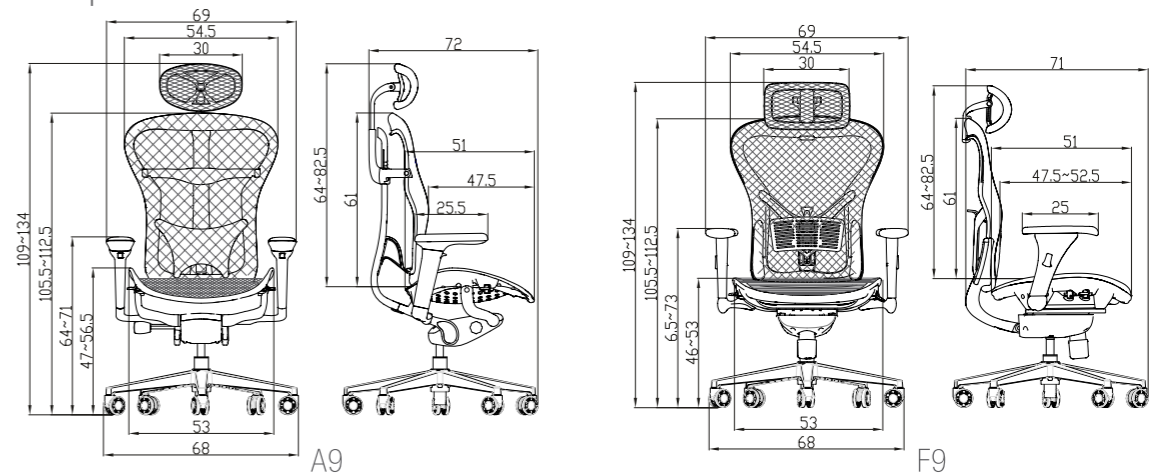


F type

F9

Technical Specifications 單位: cm

規格圖



A9

F9



F type

F11

Features 產品功能



頭枕上下角度調節
Headrest angle adjustment



座墊深淺調節
Seat depth adjustment



頭枕高度調節
Headrest height adjustment



座墊高度調節
Seat height adjustment



椅背高度調節
Backrest height adjustment



椅背後仰3段鎖定
Backrest tilt angle adjustment



腰靠高度調節
Lumbar height adjustment



後仰力度可調節
Backrest flexible tilt tension adjustment



扶手前後、升降調節
Arm-pad forward or backward & Armrest height adjustment



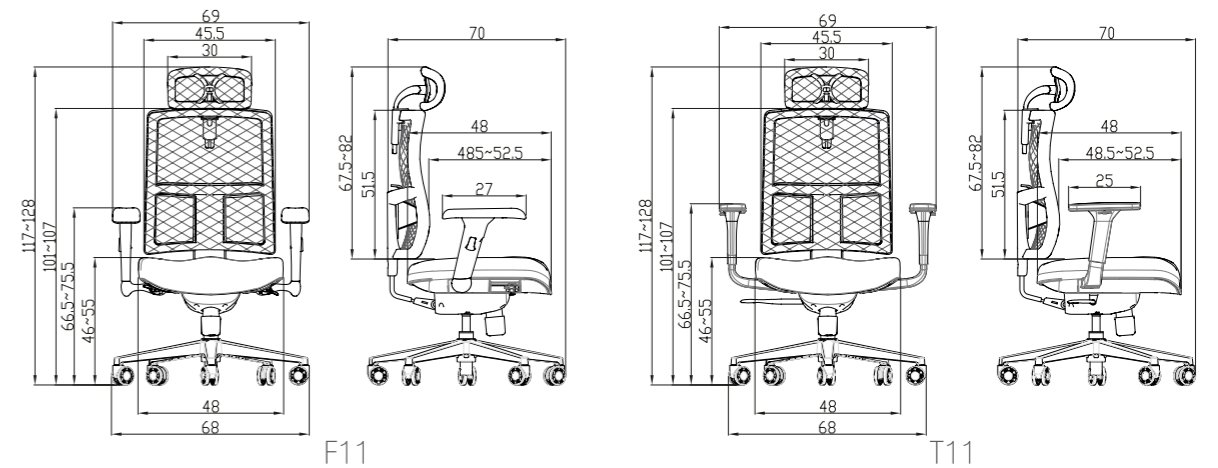
扶手左右角度調節
Arm-pad inward & outward adjustment



T type

T11

Technical Specifications 單位: cm 規格圖



F11

T11



同款培訓椅可選
詳情見目錄培訓椅頁面介紹

Features 產品功能

- 

頭枕上下角度調節
Headrest angle adjustment
- 

座墊深淺調節
Seat depth adjustment
- 

頭枕高度調節
Headrest height adjustment
- 

座墊高度調節
Seat height adjustment
- 

椅背高度調節
Backrest height adjustment
- 

椅背後仰3段鎖定
Backrest tilt angle adjustment
- 

扶手左右角度調節
Arm-pad inward & outward adjustment
- 

後仰力度可調節
Backrest flexible tilt tension adjustment
- 

扶手前後、升降調節
Arm-pad forward or backward & Armrest height adjustment



A type A12



K type K12

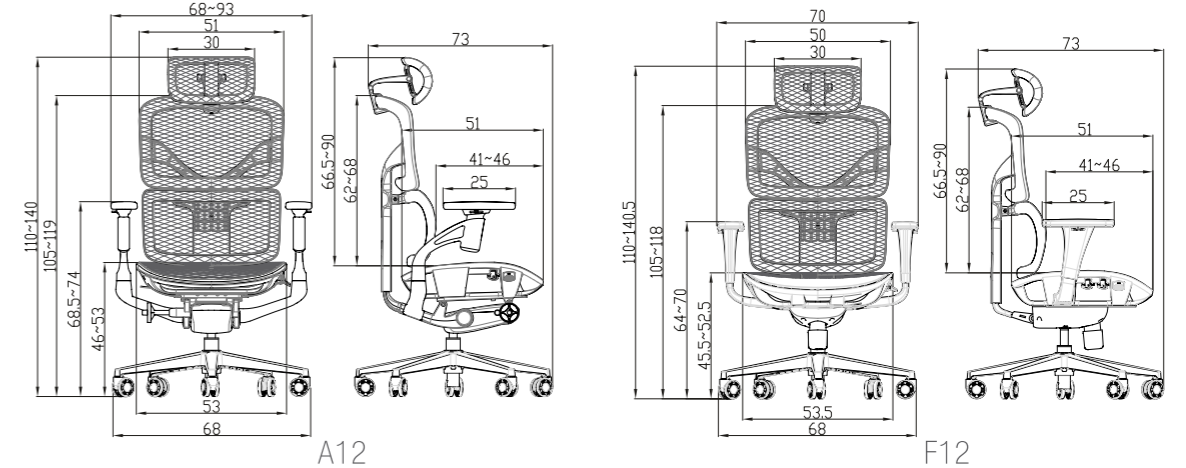


T type T12



F type F12

Technical Specifications 單位: cm
規格圖



A12

F12



A type A13

Features 產品功能



頭枕上下角度調節
Headrest angle adjustment



座墊深淺調節
Seat depth adjustment



頭枕高度調節
Headrest height adjustment



座墊高度調節
Seat height adjustment



椅背高度調節
Backrest height adjustment



椅背後仰3段鎖定
Backrest tilt angle adjustment



扶手左右角度調節
Arm-pad inward & outward adjustment



後仰力度可調節
Backrest flexible tilt tension adjustment



扶手前後、升降調節
Arm-pad forward or backward & Armrest height adjustment



K type K13

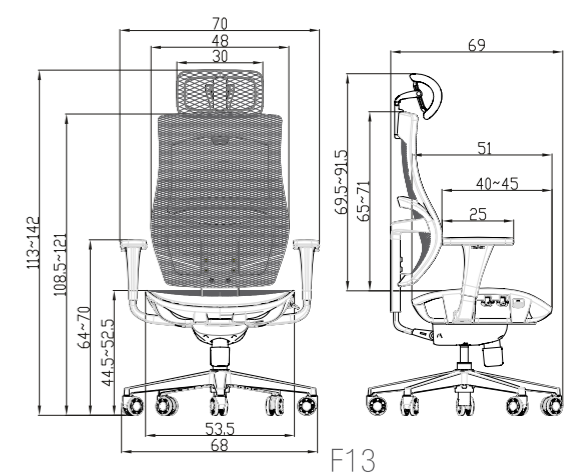
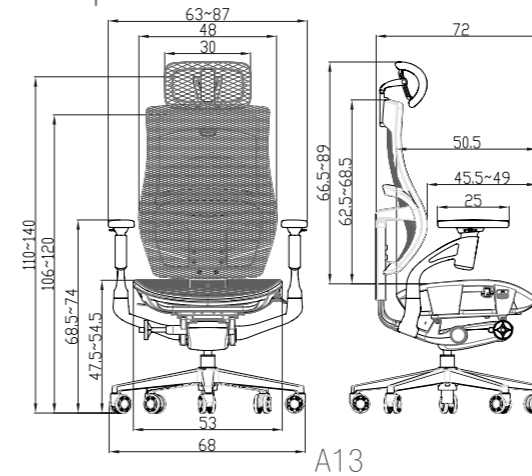


F type F13



T type T13

Technical Specifications 單位: cm
規格圖





A type A14

Features 產品功能



頭枕上下角度調節
Headrest angle adjustment



座墊深淺調節
Seat depth adjustment



頭枕高度調節
Headrest height adjustment



座墊高度調節
Seat height adjustment



椅背高度調節
Backrest height adjustment



椅背後仰3段鎖定
Backrest tilt angle adjustment



腰靠高度調節
Lumbar height adjustment



後仰力度可調節
Backrest flexible tilt tension adjustment



扶手前後、升降調節
Arm-pad forward or backward & Armrest height adjustment



扶手左右角度調節
Arm-pad inward & outward adjustment



K type K14

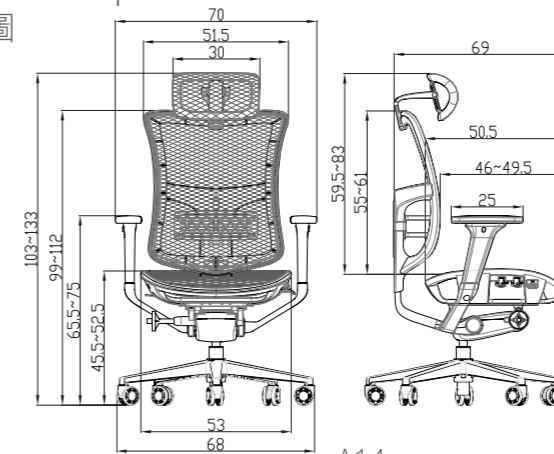


F type F14

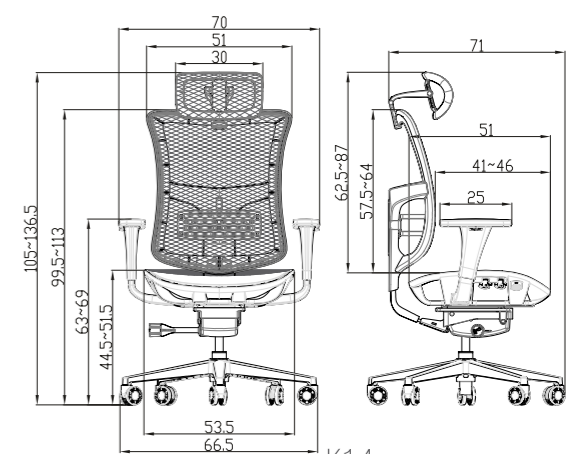


T type T14

Technical Specifications 單位: cm 規格圖



A14



K14



A type

A16



同款培訓椅可選
詳情見目錄培訓椅頁面介紹

Features 產品功能



頭枕上下角度調節
Headrest angle adjustment



座墊深淺調節
Seat depth adjustment



頭枕高度調節
Headrest height adjustment



座墊高度調節
Seat height adjustment



椅背高度調節
Backrest height adjustment



椅背後仰3段鎖定
Backrest tilt angle adjustment



腰靠高度調節
Lumbar height adjustment



後仰力度可調節
Backrest flexible tilt tension adjustment



扶手前後、升降調節
Arm-pad forward or backward & Armrest height adjustment



扶手左右角度調節
Arm-pad inward & outward adjustment



F type

F16



T type

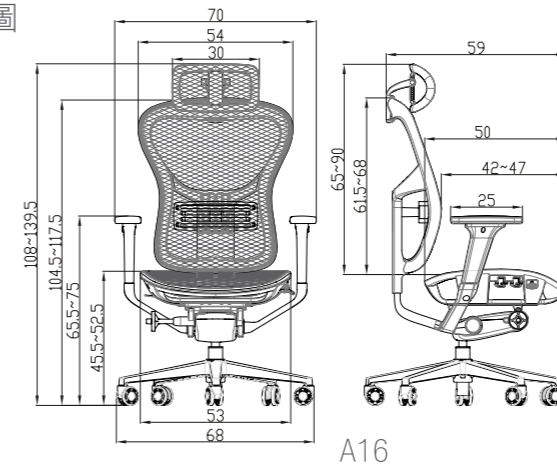
T16



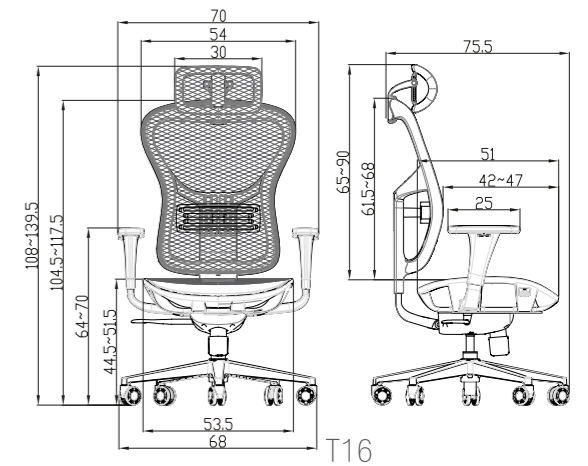
K type

K16

Technical Specifications 單位: cm
規格圖



A16



T16



F type F17

Features 產品功能



頭枕上下角度調節
Headrest angle adjustment



座墊深淺調節
Seat depth adjustment



頭枕高度調節
Headrest height adjustment



座墊高度調節
Seat height adjustment



扶手前後、升降調節
Arm-pad forward or backward & Armrest height adjustment



椅背後仰3段鎖定
Backrest tilt angle adjustment



扶手左右角度調節
Arm-pad inward & outward adjustment



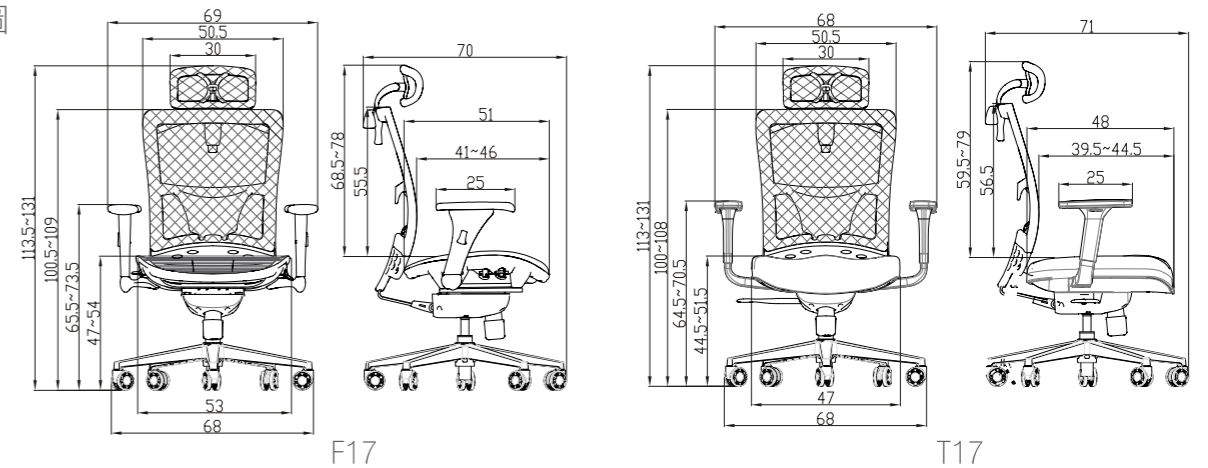
後仰力度可調節
Backrest flexible tilt tension adjustment



T type T17

Technical Specifications 單位: cm

規格圖



F17

T17



A type

A18

Features 產品功能



頭枕上下角度調節
Headrest angle adjustment



座墊深淺調節
Seat depth adjustment



頭枕高度調節
Headrest height adjustment



座墊高度調節
Seat height adjustment



椅背高度調節
Backrest height adjustment



椅背後仰3段鎖定
Backrest tilt angle adjustment



扶手左右角度調節
Arm-pad inward & outward adjustment



後仰力度可調節
Backrest flexible tilt tension adjustment



扶手前後、升降調節
Arm-pad forward or backward & Armrest height adjustment



K type

K18



T type

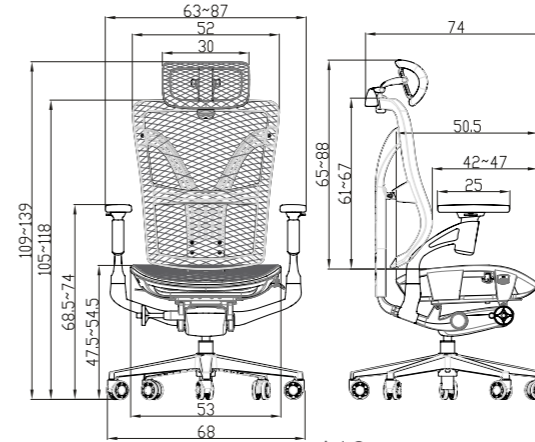
T18



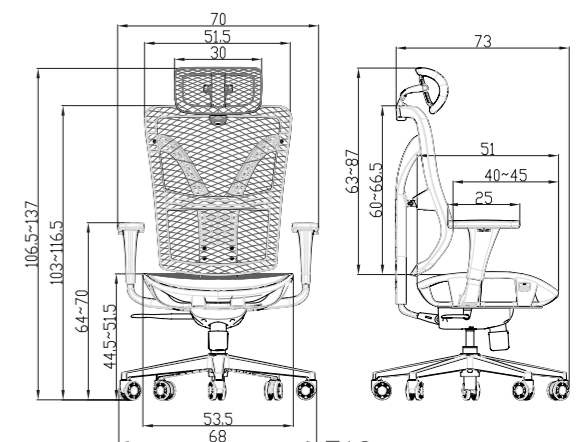
F type

F18

Technical Specifications 單位: cm
規格圖



A18



T18



A type A19

Features 產品功能



頭枕上下角度調節
Headrest angle adjustment



座墊深淺調節
Seat depth adjustment



頭枕高度調節
Headrest height adjustment



座墊高度調節
Seat height adjustment



椅背高度調節
Backrest height adjustment



腰靠分體調節
Individual lumbar adjustable



扶手前後、升降調節
Arm-pad forward or backward &
Armrest height adjustment



椅背後仰3段鎖定
Backrest tilt angle adjustment



扶手左右角度調節
Arm-pad inward & outward
adjustment



後仰力度可調節
Backrest flexible tilt tension
adjustment



K type K19

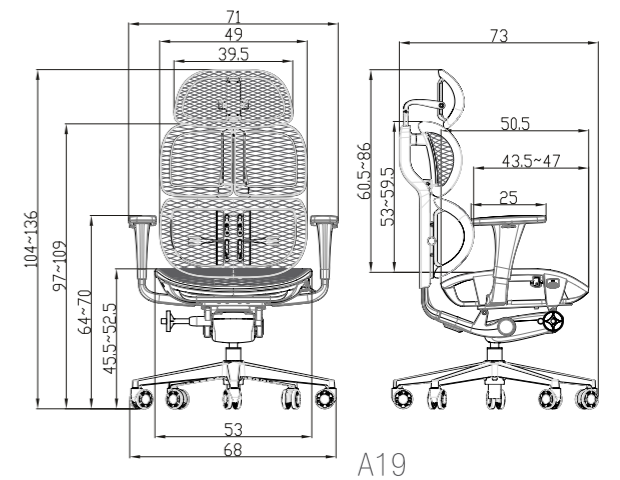


F type F19



T type T19

Technical Specifications 單位: cm
規格圖



A19



F type F20

Features 產品功能



椅背高度調節
Backrest height adjustment



座墊深淺調節
Seat depth adjustment



腰靠前後調整
Lumbar adjustable



座墊高度調節
Seat height adjustment



扶手前後、升降調節
Arm-pad forward or backward & Armrest height adjustment



椅背後仰3段鎖定
Backrest tilt angle adjustment



扶手左右角度調節
Arm-pad inward & outward adjustment



後仰力度可調節
Backrest flexible tilt tension adjustment

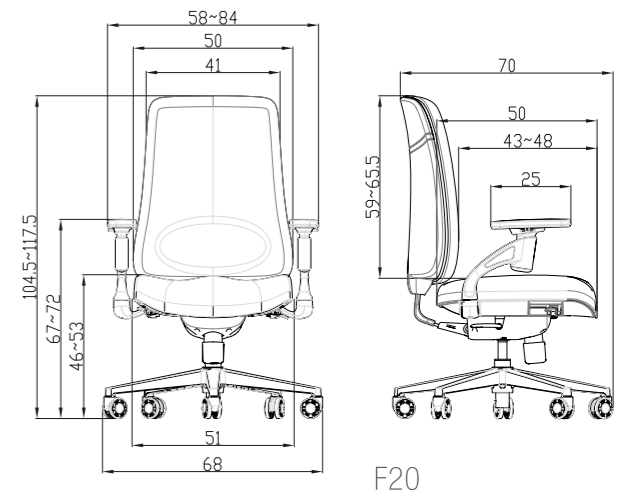


K type K20



T type T20

Technical Specifications 單位: cm
規格圖





F20




F type F21


Features 產品功能

- 

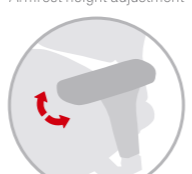
椅背高度調節
Backrest height adjustment
- 

座墊深淺調節
Seat depth adjustment
- 

腰靠前後調整
Lumbar adjustable
- 

座墊高度調節
Seat height adjustment
- 

扶手前後、升降調節
Arm-pad forward or backward & Armrest height adjustment
- 

椅背後仰3段鎖定
Backrest tilt angle adjustment
- 

扶手左右角度調節
Arm-pad inward & outward adjustment
- 

後仰力度可調節
Backrest flexible tilt tension adjustment

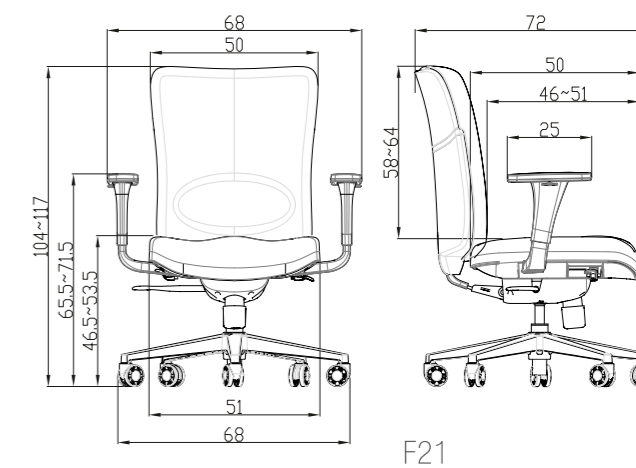


K type K21



T type T21

Technical Specifications 單位: cm
規格圖



F21



A type A22

Features 產品功能



頭枕上下角度調節
Headrest angle adjustment



座墊深淺調節
Seat depth adjustment



頭枕高度調節
Headrest height adjustment



座墊高度調節
Seat height adjustment



椅背高度調節
Backrest height adjustment



椅背後仰3段鎖定
Backrest tilt angle adjustment



腰靠高度調節
Lumbar height adjustment



後仰力度可調節
Backrest flexible tilt tension adjustment



扶手前後、升降調節
Arm-pad forward or backward & Armrest height adjustment



扶手左右角度調節
Arm-pad inward & outward adjustment



K type K22

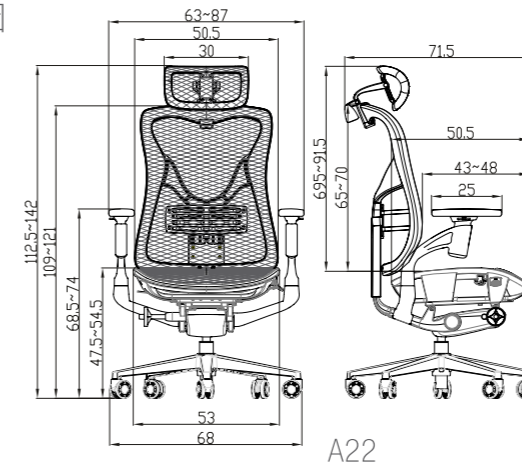


F type F22

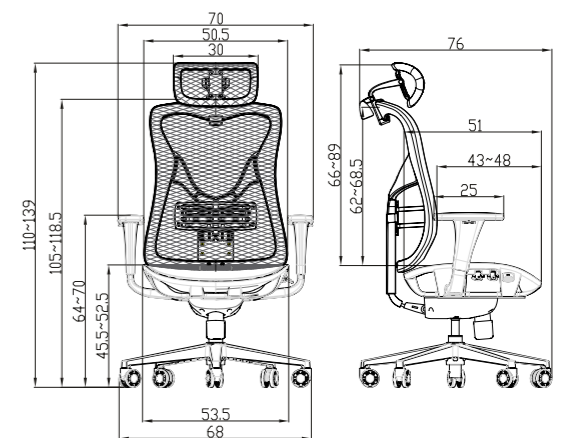


T type T22

Technical Specifications 單位: cm
規格圖



A22



F22





A type A75

Features 產品功能

- 

3D頭枕6D調整
3D headrest 6D adjustment
- 


座墊深淺調節
Seat depth adjustment
- 

椅背高度調節
Backrest height adjustment
- 

腰靠分體調節
Individual lumbar adjustable
- 

座墊高度調節
Seat height adjustment
- 

椅背後仰3段鎖定
Backrest tilt angle adjustment
- 

扶手左右角度調節
Arm-pad inward & outward adjustment
- 

扶手前后升降調節
Arm-pad forward or backward & Armrest height adjustment
- 

後仰力度可調節
Backrest flexible tilt tension adjustment



K type K75

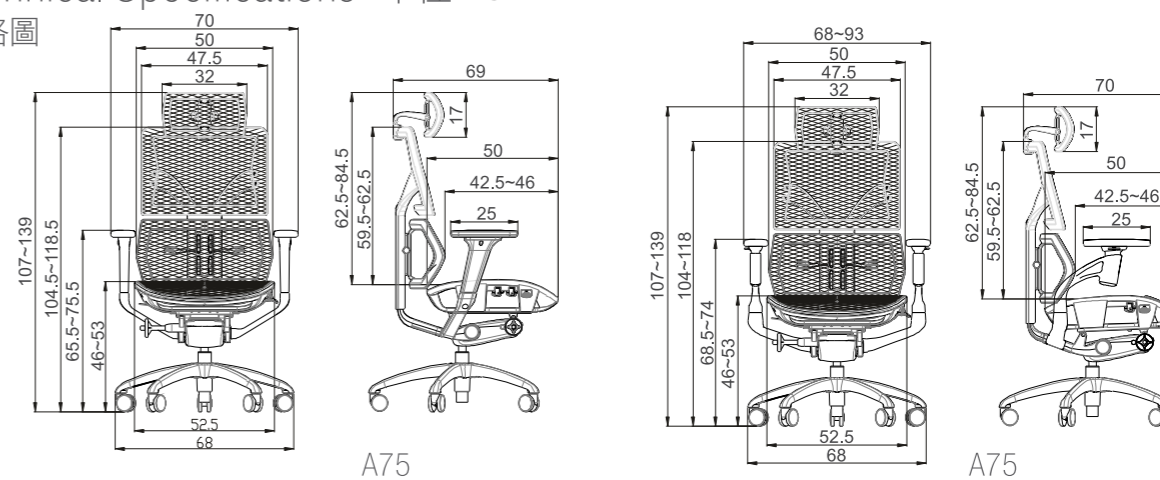


F type F75



T type T75

Technical Specifications 單位: cm
規格圖



A75

A75



A type A76

Features 產品功能



3D頭枕6D調整
3D headrest 6D adjustment



座墊深淺調節
Seat depth adjustment



椅背高度調節
Backrest height adjustment



腰靠分體調節
Individual lumbar adjustable



座墊高度調節
Seat height adjustment



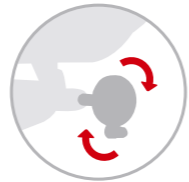
椅背後仰3段鎖定
Backrest tilt angle adjustment



扶手左右角度調節
Arm-pad inward & outward adjustment



扶手前后升降調節
Arm-pad forward or backward & Armrest height adjustment



後仰力度可調節
Backrest flexible tilt tension adjustment



F type F76

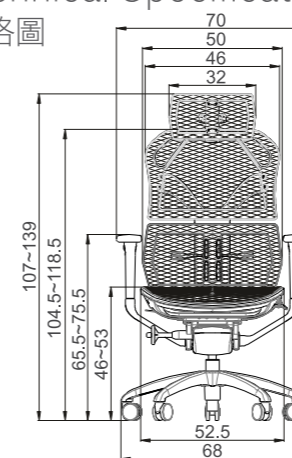


K type K76

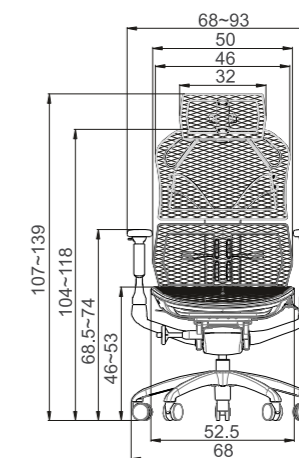
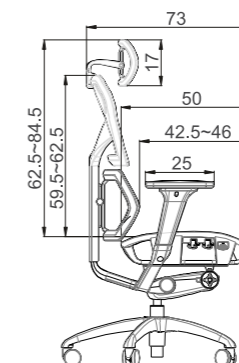


T type T76

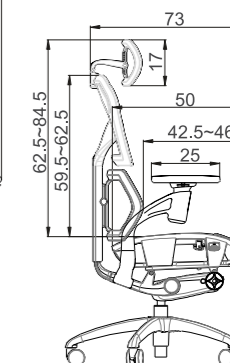
Technical Specifications 單位: cm
規格圖



A76



A76





A type A77

Features 產品功能



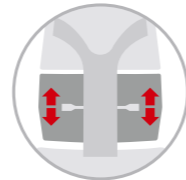
3D頭枕6D調整
3D headrest 6D adjustment



座墊深淺調節
Seat depth adjustment



椅背高度調節
Backrest height adjustment



腰靠分體調節
Individual lumbar adjustable



座墊高度調節
Seat height adjustment



椅背後仰3段鎖定
Backrest tilt angle adjustment



扶手左右角度調節
Arm-pad inward & outward adjustment



扶手前後升降調節
Arm-pad forward or backward & Armrest height adjustment



後仰力度可調節
Backrest flexible tilt tension adjustment



K type K77

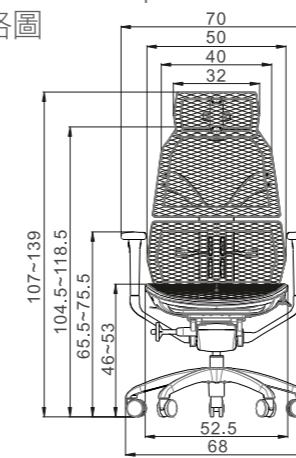


F type F77

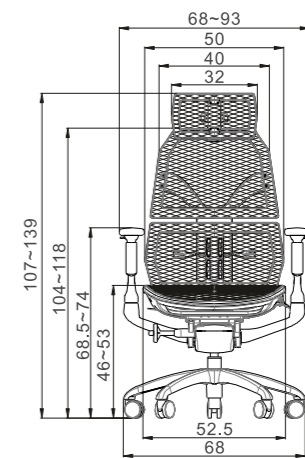
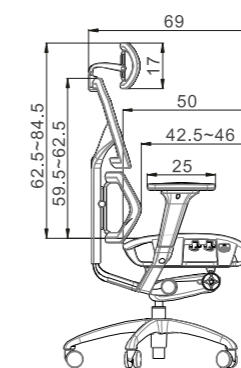


T type T77

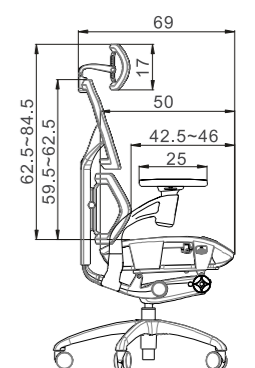
Technical Specifications 單位: cm
規格圖



A77



A77





A type A79

Features 產品功能



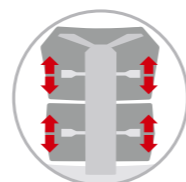
3D頭枕6D調整
3D headrest 6D adjustment



座墊深淺調節
Seat depth adjustment



椅背高度調節
Backrest height adjustment



腰、背支撐分體調節
Back & Lumbar individually adjustable



座墊高度調節
Seat height adjustment



椅背後仰3段鎖定
Backrest tilt angle adjustment



扶手左右角度調節
Arm-pad inward & outward adjustment



扶手前后升降調節
Arm-pad forward or backward & Armrest height adjustment



後仰力度可調節
Backrest flexible tilt tension adjustment



F type F79



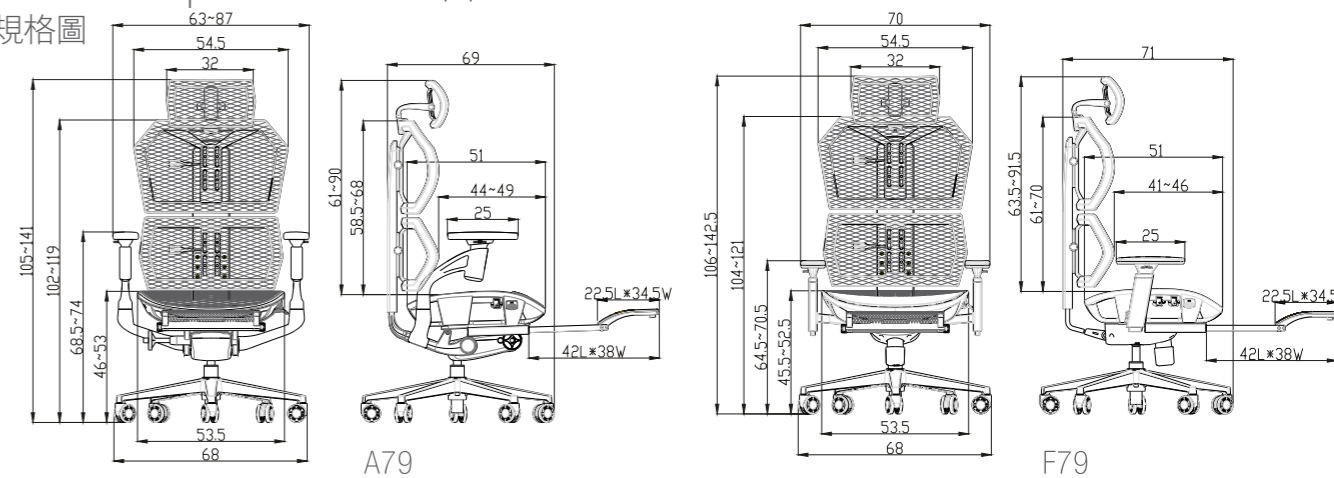
K type K79



T type T79

Technical Specifications 單位: cm

規格圖



A79

F79



Features 產品功能



椅背高度調節
Backrest height adjustment



座墊深淺調節
Seat depth adjustment



扶手前后、升降調節
Arm-pad forward or backward & Armrest height adjustment



座墊高度調節
Seat height adjustment



扶手左右角度調節
Arm-pad inward & outward adjustment

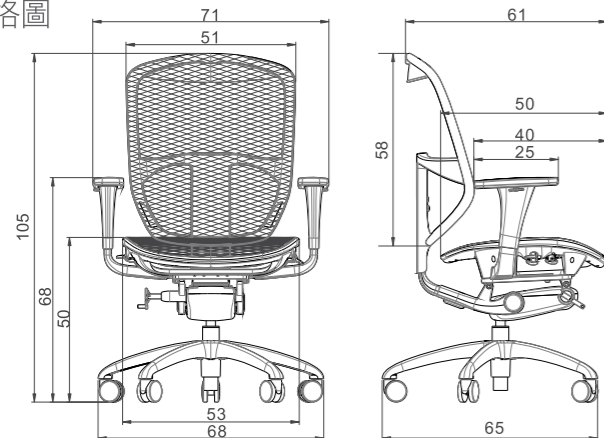


椅背後仰3段鎖定
Backrest tilt angle adjustment



後仰力度可調節
Backrest flexible tilt tension adjustment

Technical Specifications 單位: cm 規格圖



Features 產品功能



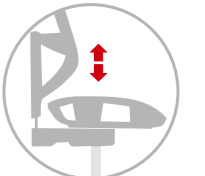
椅背高度調節
Backrest height adjustment



座墊深淺調節
Seat depth adjustment



扶手前后、升降調節
Arm-pad forward or backward & Armrest height adjustment



座墊高度調節
Seat height adjustment



扶手左右角度調節
Arm-pad inward & outward adjustment

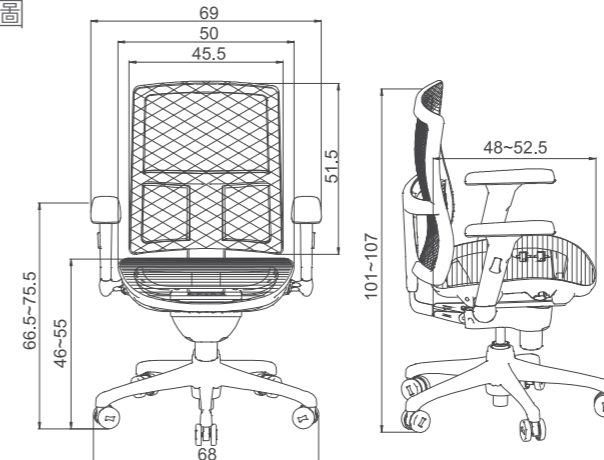


椅背後仰3段鎖定
Backrest tilt angle adjustment



後仰力度可調節
Backrest flexible tilt tension adjustment

Technical Specifications 單位: cm 規格圖





Features 產品功能



椅背高度調節
Backrest height adjustment



座墊深淺調節
Seat depth adjustment



腰靠高度調節
Lumbar height adjustment



座墊高度調節
Seat height adjustment



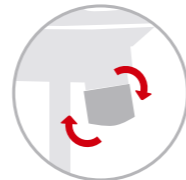
扶手前後、升降調節
Arm-pad forward or backward & Armrest height adjustment



椅背後仰3段鎖定
Backrest tilt angle adjustment

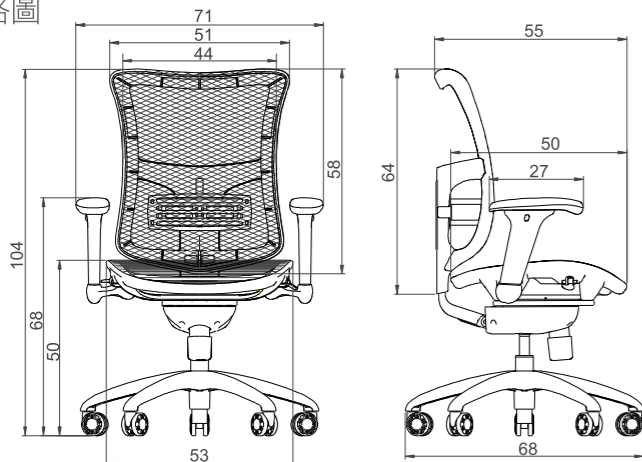


扶手左右角度調節
Arm-pad inward & outward adjustment



後仰力度可調節
Backrest flexible tilt tension adjustment

Technical Specifications 單位: cm 規格圖



載重400磅
Big & Tall
400 lbs.



Features 產品功能



腰靠高度調節
Lumbar height adjustment



座墊深淺調節
Seat depth adjustment



扶手前後、升降調節
Arm-pad forward or backward & Armrest height adjustment



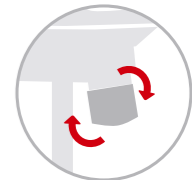
座墊高度調節
Seat height adjustment



扶手左右角度調節
Arm-pad inward & outward adjustment

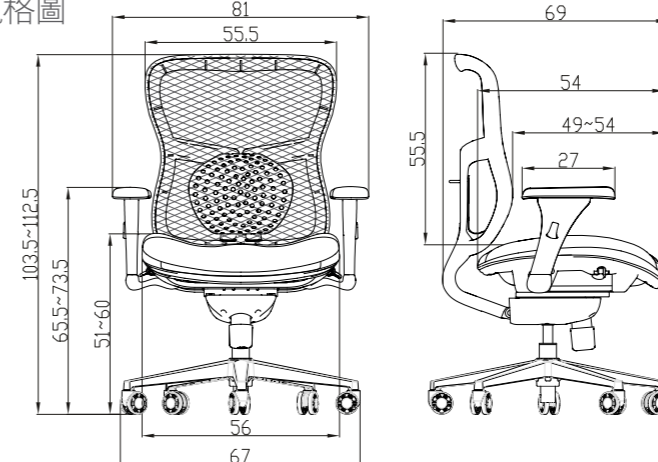


椅背後仰3段鎖定
Backrest tilt angle adjustment



後仰力度可調節
Backrest flexible tilt tension adjustment

Technical Specifications 單位: cm 規格圖



H6 Series

載重500磅
Big & Tall
500 lbs.



Features 產品功能



椅背高度調節
Backrest height adjustment



座墊深淺調節
Seat depth adjustment



扶手前後、升降調節
Arm-pad forward or backward & Armrest height adjustment



座墊高度調節
Seat height adjustment



扶手左右角度調節
Arm-pad inward & outward adjustment

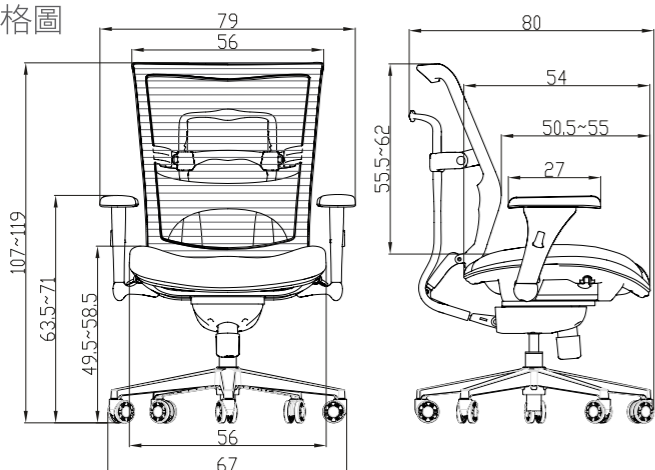


椅背後仰3段鎖定
Backrest tilt angle adjustment



後仰力度可調節
Backrest flexible tilt tension adjustment

Technical Specifications 單位: cm 規格圖



H14 Series

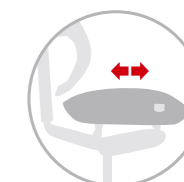
載重400磅
Big & Tall
400 lbs.



Features 產品功能



腰靠高度調節
Lumbar height adjustment



座墊深淺調節
Seat depth adjustment



扶手前後、升降調節
Arm-pad forward or backward & Armrest height adjustment



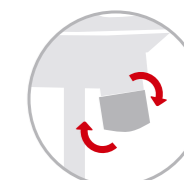
座墊高度調節
Seat height adjustment



扶手左右角度調節
Armbar height adjustment

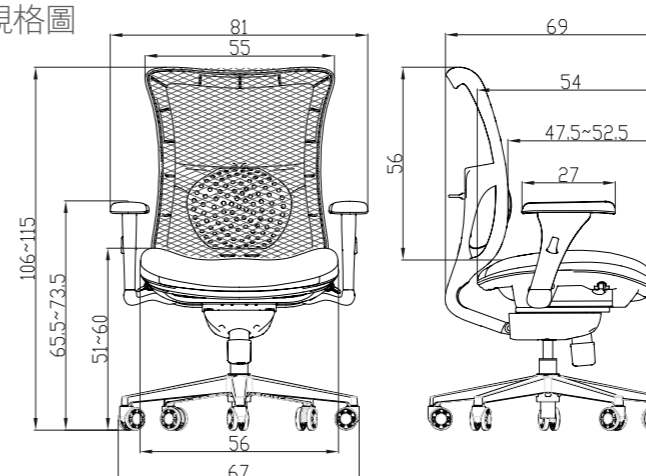


椅背後仰3段鎖定
Backrest tilt angle adjustment



後仰力度可調節
Backrest flexible tilt tension adjustment

Technical Specifications 單位: cm 規格圖





Features 產品功能



扶手前后、升降調節
Arm-pad forward or backward & Armrest height adjustment



座墊深淺調節
Seat depth adjustment



扶手左右角度調節
Arm-pad inward & outward adjustment



座墊高度調節
Seat height adjustment

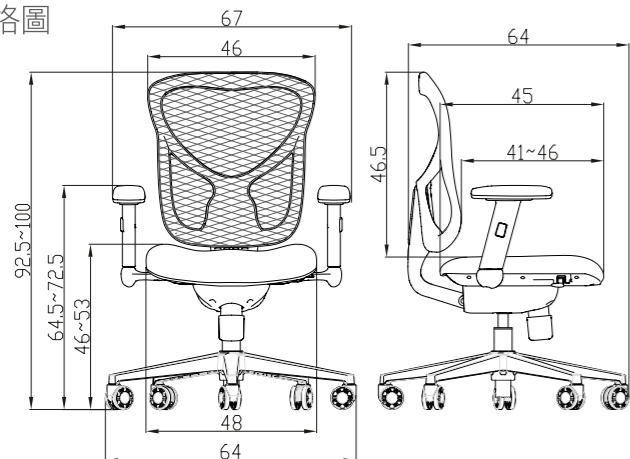


椅背後仰3段鎖定
Backrest tilt angle adjustment



後仰力度可調節
Backrest flexible tilt tension adjustment

Technical Specifications 單位: cm 規格圖



Features 產品功能



頭枕高度調節
Headrest height adjustment



座墊深淺調節
Seat depth adjustment



腰靠高度調節
Lumbar height adjustment



座墊高度調節
Seat height adjustment



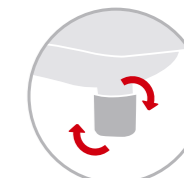
扶手前后、升降調節
Arm-pad forward or backward & Armrest height adjustment



椅背後仰3段鎖定
Backrest tilt angle adjustment

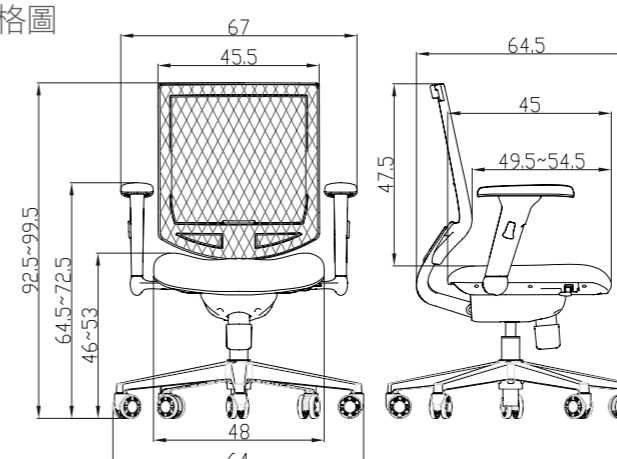


扶手左右角度調節
Arm-pad inward & outward adjustment



後仰力度可調節
Backrest flexible tilt tension adjustment

Technical Specifications 單位: cm 規格圖



D3 Series



Features 產品功能



扶手前后、升降調節
Arm-pad forward or backward & Armrest height adjustment



座墊深淺調節
Seat depth adjustment



扶手左右角度調節
Arm-pad inward & outward adjustment



座墊高度調節
Seat height adjustment

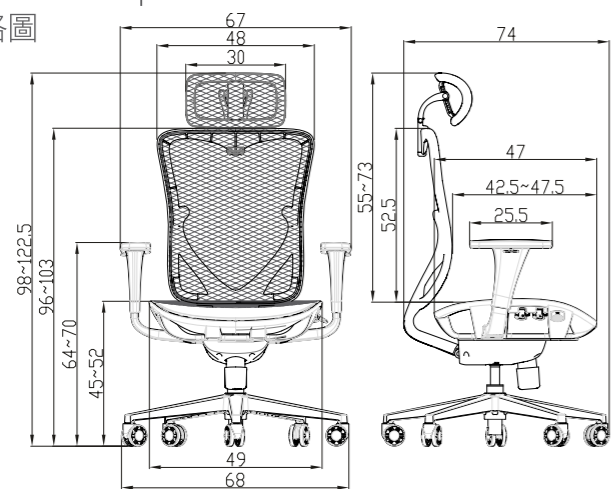


椅背後仰3段鎖定
Backrest tilt angle adjustment



後仰力度可調節
Backrest flexible tilt tension adjustment

Technical Specifications 單位: cm 規格圖





Features 產品功能



扶手前后、升降調節
Arm-pad forward or backward & Armrest height adjustment



座墊深淺調節
Seat depth adjustment



扶手左右角度調節
Arm-pad inward & outward adjustment



座墊高度調節
Seat height adjustment

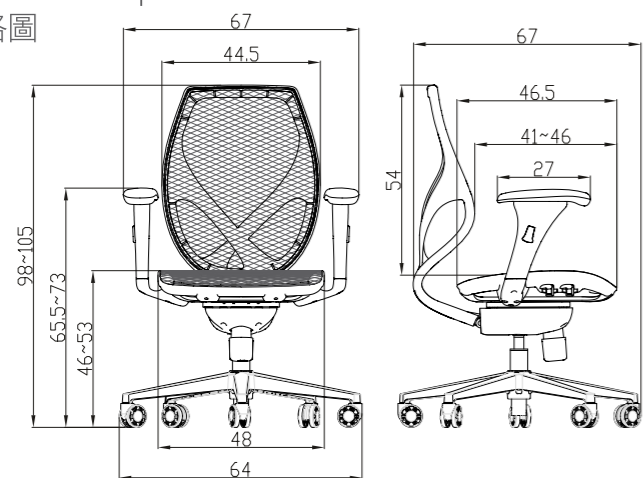


椅背後仰3段鎖定
Backrest tilt angle adjustment



後仰力度可調節
Backrest flexible tilt tension adjustment

Technical Specifications 單位: cm 規格圖



Features 產品功能



扶手前后、升降調節
Arm-pad forward or backward & Armrest height adjustment



座墊深淺調節
Seat depth adjustment



扶手左右角度調節
Arm-pad inward & outward adjustment



座墊高度調節
Seat height adjustment

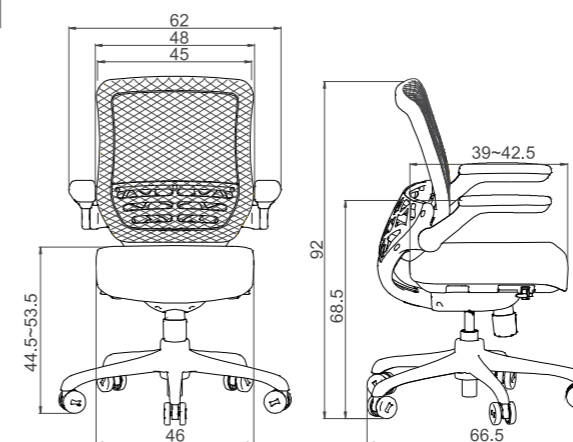


椅背後仰3段鎖定
Backrest tilt angle adjustment



後仰力度可調節
Backrest flexible tilt tension adjustment

Technical Specifications 單位: cm 規格圖





同款培訓椅可選
詳情見目錄培訓椅頁面介紹



Features 產品功能



扶手前后、升降調節
Arm-pad forward or backward & Armrest height adjustment



座墊深淺調節
Seat depth adjustment



扶手左右角度調節
Arm-pad inward & outward adjustment



座墊高度調節
Seat height adjustment

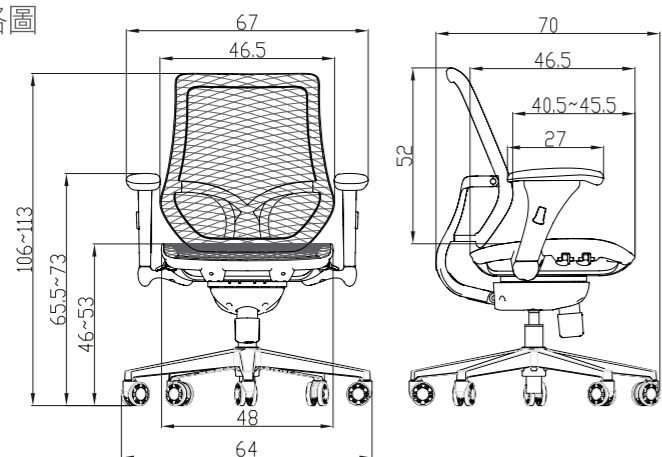


椅背後仰3段鎖定
Backrest tilt angle adjustment



後仰力度可調節
Backrest flexible tilt tension adjustment

Technical Specifications 單位: cm 規格圖



Features 產品功能



扶手前后、升降調節
Arm-pad forward or backward & Armrest height adjustment



座墊深淺調節
Seat depth adjustment



扶手左右角度調節
Arm-pad inward & outward adjustment



座墊高度調節
Seat height adjustment

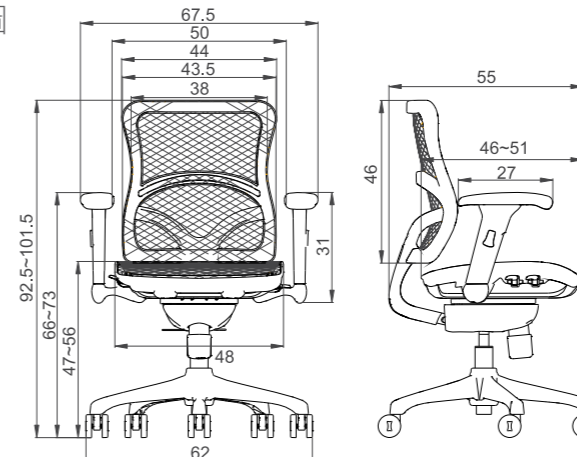


椅背後仰3段鎖定
Backrest tilt angle adjustment



後仰力度可調節
Backrest flexible tilt tension adjustment

Technical Specifications 單位: cm 規格圖



D9 Series



Features 產品功能



扶手前后、升降調節
Arm-pad forward or backward & Armrest height adjustment



座墊深淺調節
Seat depth adjustment



扶手左右角度調節
Arm-pad inward & outward adjustment



座墊高度調節
Seat height adjustment



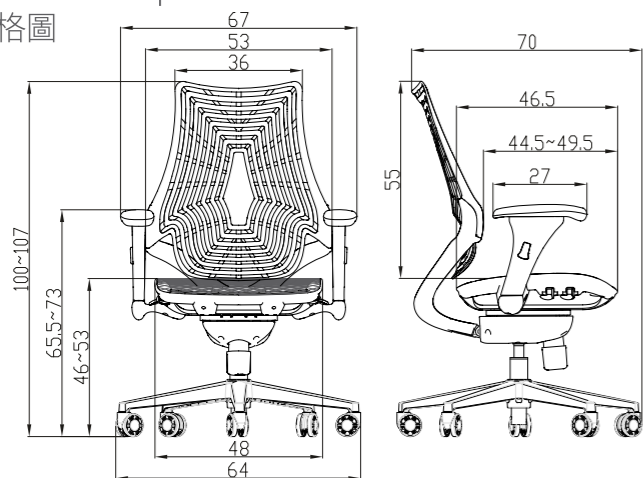
椅背後仰3段鎖定
Backrest tilt angle adjustment



後仰力度可調節
Backrest flexible tilt tension adjustment

Technical Specifications 單位: cm

規格圖



D11 Series



Features 產品功能



扶手前后、升降調節
Arm-pad forward or backward & Armrest height adjustment



座墊深淺調節
Seat depth adjustment



扶手左右角度調節
Arm-pad inward & outward adjustment



座墊高度調節
Seat height adjustment



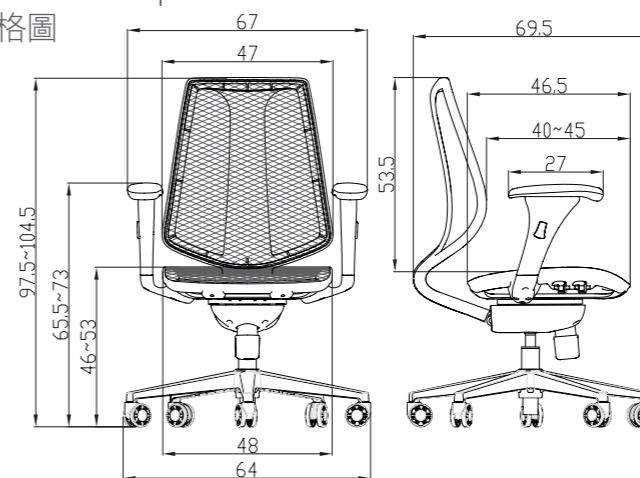
椅背後仰3段鎖定
Backrest tilt angle adjustment



後仰力度可調節
Backrest flexible tilt tension adjustment

Technical Specifications 單位: cm

規格圖



D75 Series



D type D75



D type D75-T

Features 產品功能



扶手前后、升降調節
Arm-pad forward or backward & Armrest height adjustment



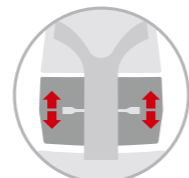
座墊深淺調節
Seat depth adjustment



扶手左右角度調節
Arm-pad inward & outward adjustment



座墊高度調節
Seat height adjustment



腰靠分體調節
Individual lumbar adjustable

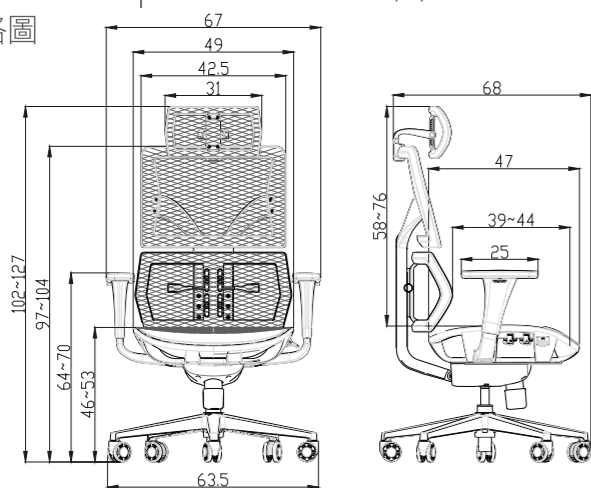


椅背後仰3段鎖定
Backrest tilt angle adjustment



後仰力度可調節
Backrest flexible tilt tension adjustment

Technical Specifications 單位: cm 規格圖



D77 Series



D type D77



D type D77-T

Features 產品功能



扶手前后、升降調節
Arm-pad forward or backward & Armrest height adjustment



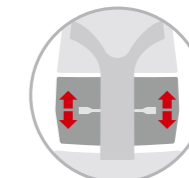
座墊深淺調節
Seat depth adjustment



扶手左右角度調節
Arm-pad inward & outward adjustment



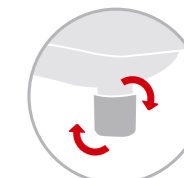
座墊高度調節
Seat height adjustment



腰靠分體調節
Individual lumbar adjustable

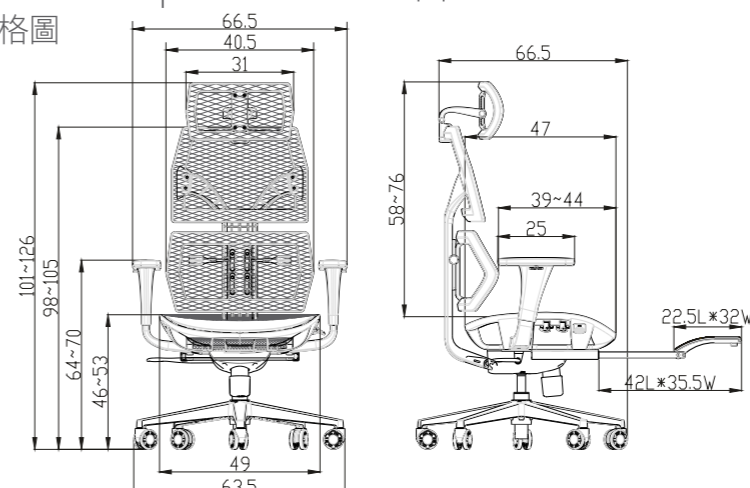


椅背後仰3段鎖定
Backrest tilt angle adjustment



後仰力度可調節
Backrest flexible tilt tension adjustment

Technical Specifications 單位: cm 規格圖



L1 Series



同款培訓椅可選
詳情見目錄培訓椅頁面介紹



Features 產品功能



固定扶手
Fixed armrest



座墊高度調節
Seat height adjustment



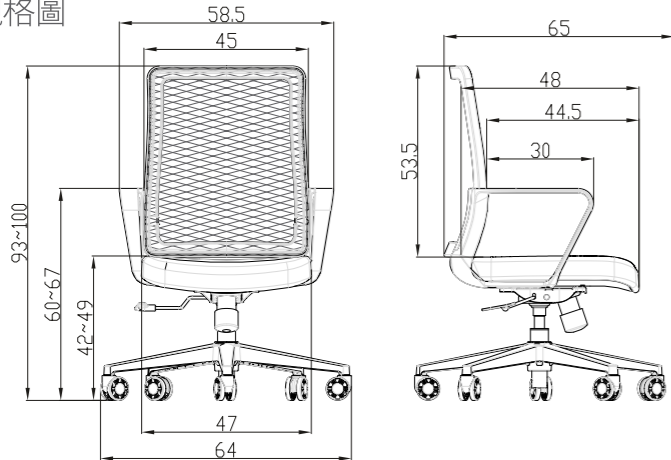
後仰第一段鎖定
Back tilt lock in 1st stage



後仰力度可調節
Backrest flexible tilt tension adjustment

Technical Specifications 單位: cm

規格圖



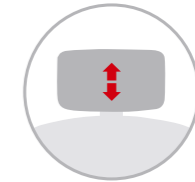
L2 Series



同款培訓椅可選
詳情見目錄培訓椅頁面介紹



Features 產品功能



頭枕高度調節
Headrest height adjustment



座墊高度調節
Seat height adjustment



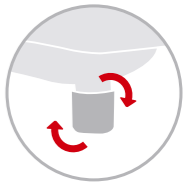
扶手前后、升降調節
Arm-pad forward or backward & Armrest height adjustment



後仰第一段鎖定
Back tilt lock in 1st stage



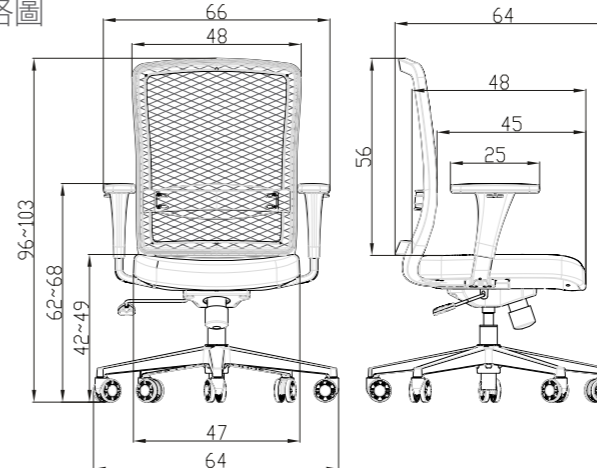
扶手左右角度調節
Arm-pad inward & outward adjustment



後仰力度可調節
Backrest flexible tilt tension adjustment

Technical Specifications 單位: cm

規格圖



L3 Series



Features 產品功能



固定扶手
Fixed armrest



座墊高度調節
Seat height adjustment



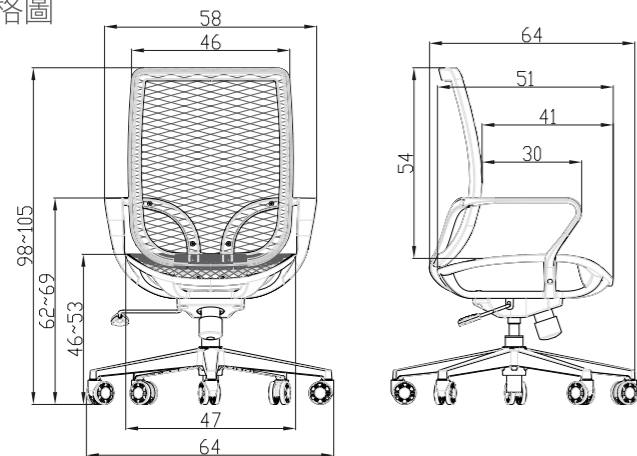
後仰第一段鎖定
Back tilt lock in 1st stage



後仰力度可調節
Backrest flexible tilt tension adjustment

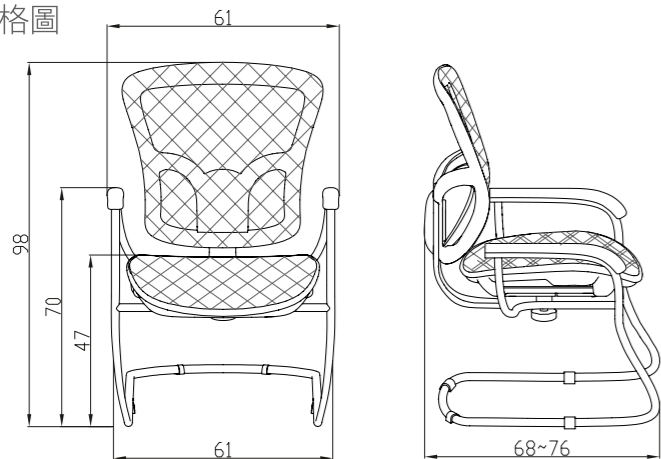
Technical Specifications 單位: cm

規格圖

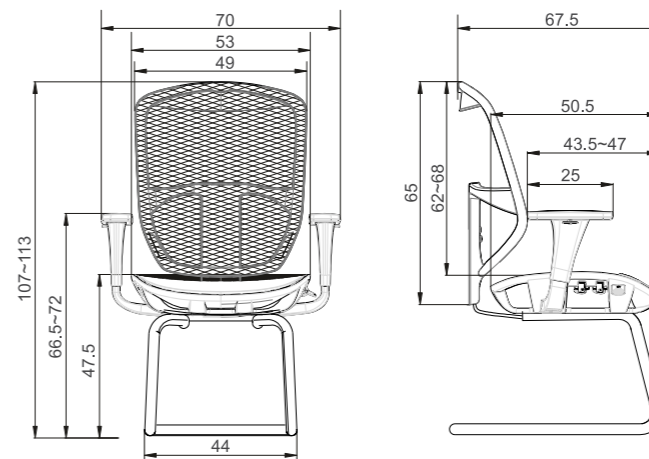




Technical Specifications 單位: cm
規格圖

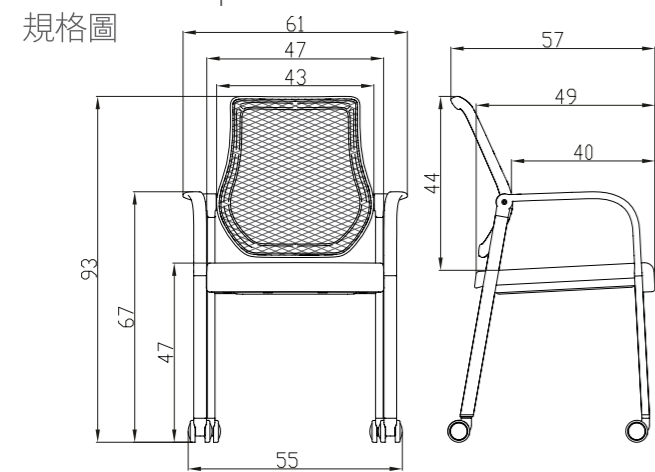


Technical Specifications 單位: cm
規格圖

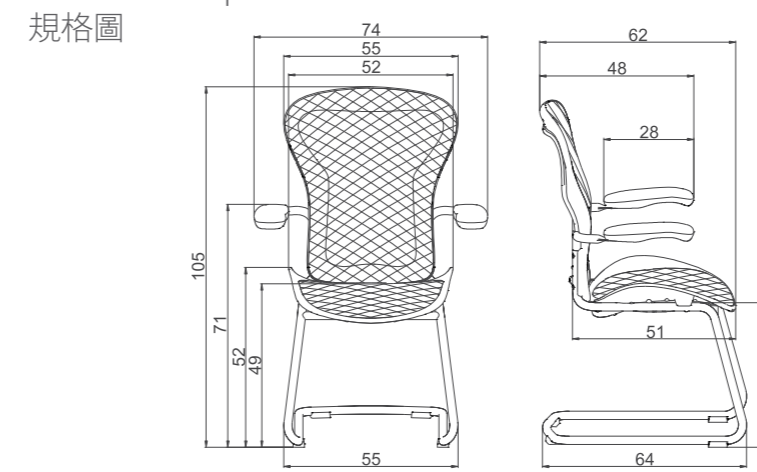




Technical Specifications 單位: cm



Technical Specifications 單位: cm

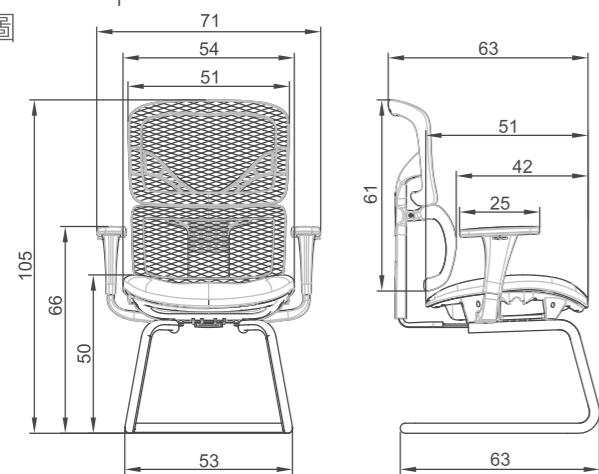


C12 Series



Technical Specifications 單位: cm

規格圖

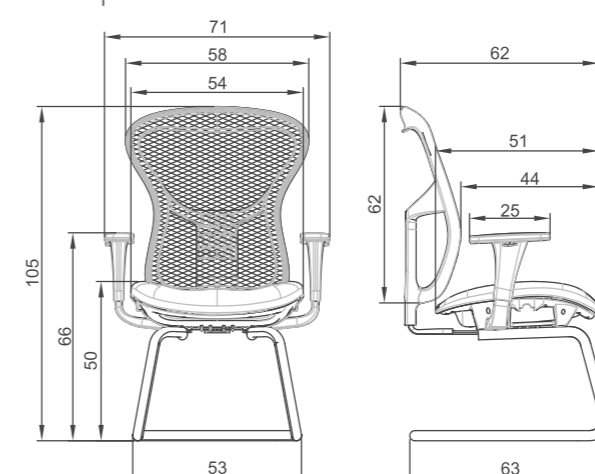


C16 Series



Technical Specifications 單位: cm

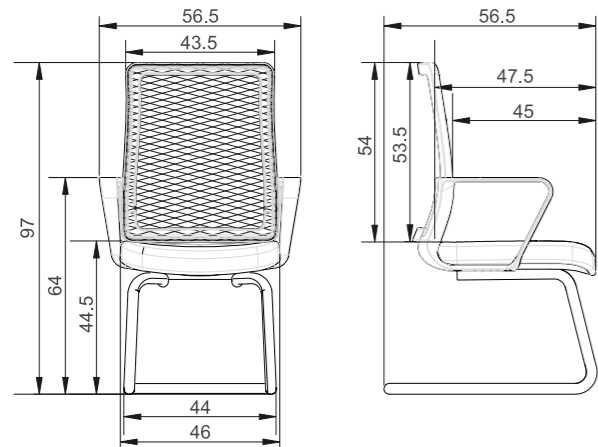
規格圖



L1-C Series



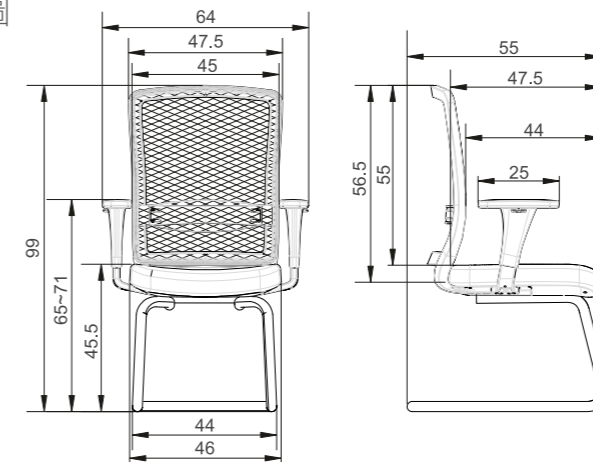
Technical Specifications 單位: cm
規格圖



L2-C Series

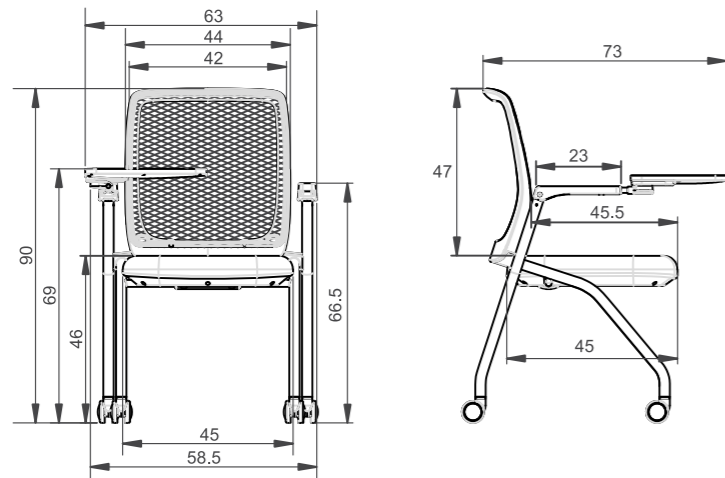


Technical Specifications 單位: cm
規格圖

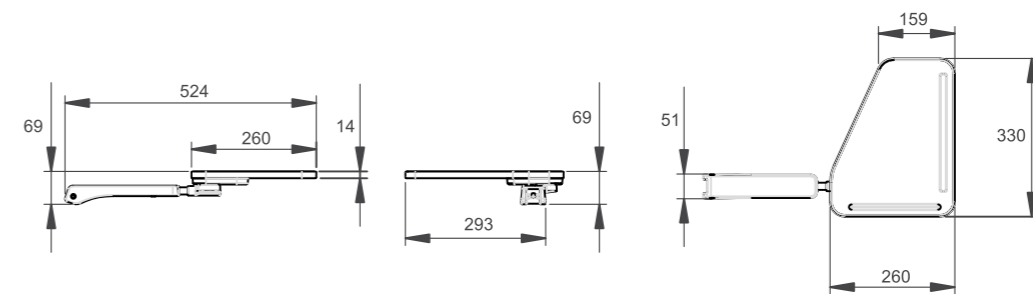




Technical Specifications 單位: cm
規格圖

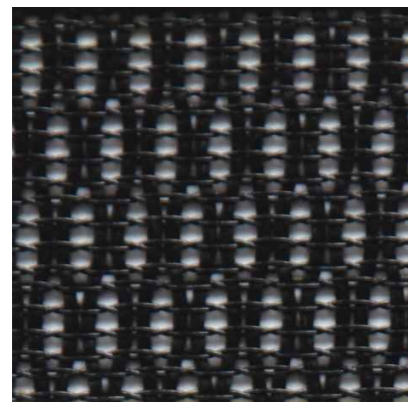


Technical Specifications 單位: cm
規格圖

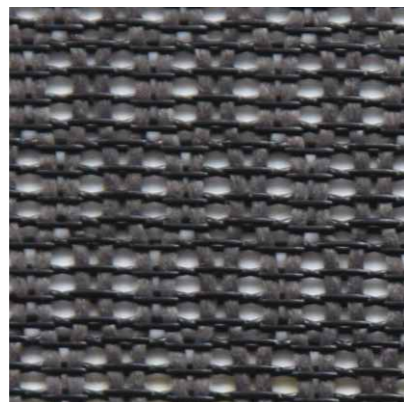


Color Card 面料卡

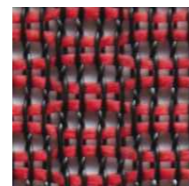
Wave Mesh



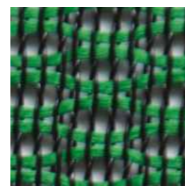
YM90-11A



YM90-10A-1



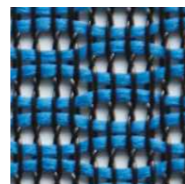
YM90-12A



YM90-14A

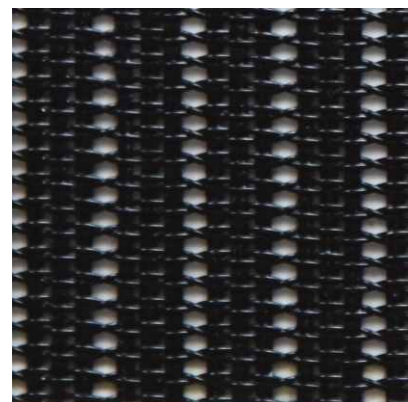


YM90-13A

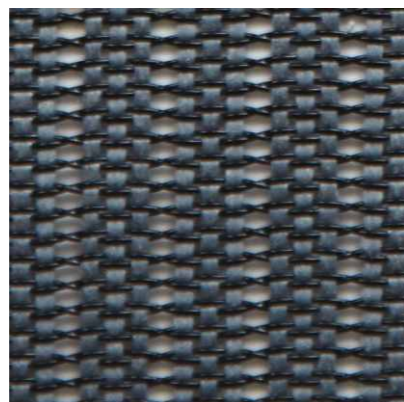


YM90-15A

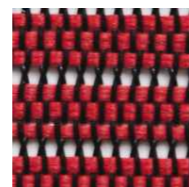
Straight Mesh



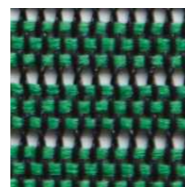
YM90-41T



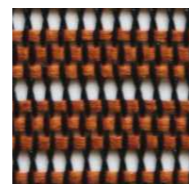
YM90-40T



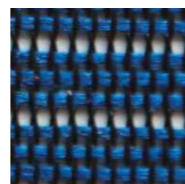
YM90-42T



YM90-44T



YM90-43T



YM90-45T

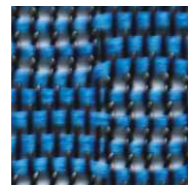
Square Mesh



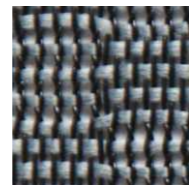
YM91-31



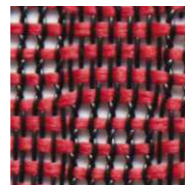
YM91-33



YM91-35



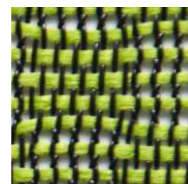
YM91-30



YM91-32

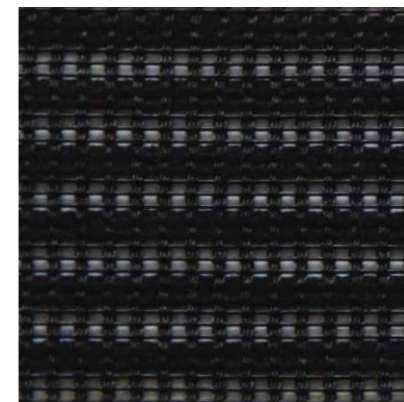


YM91-34



YM91-36

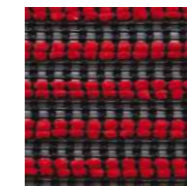
Mesh



YM-71C



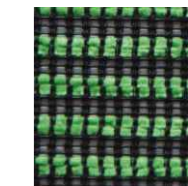
YM90-70C



YM90-72C



YM90-73C



YM90-74C

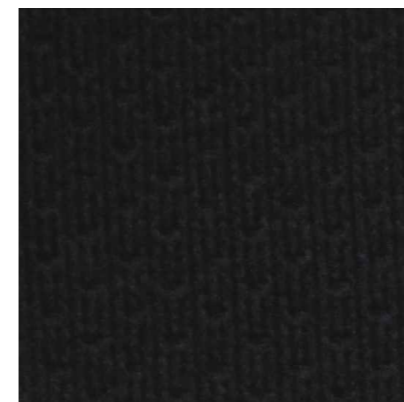


YM90-75C

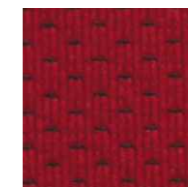


YM90-77C

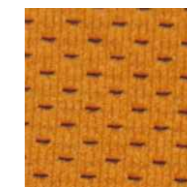
Fabric



TX-011



TX-012-1



TX-013-1



TX-016



TX-010



TX-013

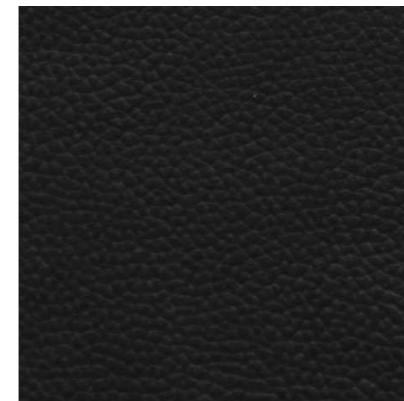


TX-015



TX-017

Leather



● 此目錄面料色澤，僅供參考。
For Reference Only.

Certification 安心認證



國際公認的檢測、鑑定的認證機構，不論是SGS或是TUV皆是全球公認的質量誠信基準，本公司將產品100%透過此兩家(擇一)第三方機構做測試。



BIFMA 為世界各國家具普遍公認的測試標準，透過座椅穩定性、強度、疲勞性的測試，來替座椅的安全以及舒適把關，本公司全系列產品皆按照BIFMA規範測試，以確保產品的完善品質。



FSC(森林追蹤認證)，在全球對環境意識抬頭的今日，本公司致力於取消所有木製品配件，目前本公司只有少數幾款產品採用一件木合板製品，為了支援國際的環境意識，本公司僅採用有提供FSC認證之供應商的產品。



ISTA是國際對包裝運輸體系做的一個模擬測試系統，根據強度分為1A,2A,3A，其中本公司所採用的最高3A標準，不僅使產品在運輸中減少破損，更增加了產品在日後使用上的安全無虞。



員工是公司最大的財產，在現代公司管理，勞資平衡、和諧是公司成長的最大動力，本公司通過BV(必維)、UL(優力)所做的第三方社會責任審核，不論是在工作環境或是員工福利，皆是通過國家標準。

Contact US 聯絡我們



FUH SHYAN CO.,LTD <TAIWAN HEAD OFFICE>

NO.27 ,Cheng Gong 1st Street,
Min Shyong Industrial Park,Chia-Yi,Taiwan

TEL : +886-5-221-2878
FAX : +886-5-221-2832
E-mail : sales@fuh-shyan.com

富翔股份有限公司 <台灣總公司>

嘉義縣民雄工業區成功一街27號

電話 : +886-5-221-2878
傳真 : +886-5-221-2832
E-mail : sales@fuh-shyan.com



ZHONG SHAN SONGLIN FURNITURE CO.,LTD

B Block, Jinli Industrial Zone, Sanxing Road,
Salang Village, Sanjiao Town, ZhongShan City,
GuangDong Prov.,China 528400

TEL : +86-760-22812060
FAX : +86-760-22812050
E-mail : sales@fuh-shyan.com

中山市松林家具有限公司

廣東省中山市三角鎮沙欄村三鑫路105號
金鯉工業區B區 (郵編 : 528400)

電話 : +86-760-22812060
傳真 : +86-760-22812050
E-mail : sales@fuh-shyan.com



深圳市松林家具科技有限公司

地址 : 深圳市宝岗北路269号大华商务中心601A
电话 : 0755-25119142 18603006895
传真 : 0755-25119142
网址 : www.songlin-furniture.com.cn

中山市享耀家家具有限公司

地址 : 中山市三乡镇振华路3号三乡金融
商务中心1101卡
电话 : 18928197375
邮箱 : sales@xiangyaojia.com
网址 : www.xiangyaojia.com